



One Piece Shower Module Cast Acrylic

FEATURES

- **A 4238.02G R/L**

The unit is molded with an integral seat and a shampoo/soap shelf located on the side wall. All units have an anti-skid floor treatment.

The unit shall be installed in a pit, 1 $\frac{3}{4}$ " (44) deep so that the finished floor will be level with the top of the threshold.

Units must be set in a mortar base leveled and any clearances between the pit opening and the unit be filled with mortar. Shimming is necessary. It is recommended that a floor drain at or near the entrance to the shower be included.

The factory supplied components are to include one stainless steel wrap around grab bar, one stainless steel vertical grab bar, an integral seat, and a stainless steel curtain rod.

The unit is thermoformed from a continuous cast acrylic sheet into a one piece, seamless unit. The unit is reinforced with a composite matrix. The unit has a backside fire rating of "A" and a flame spread of 25.

NOTES

- Anti-skid floor treatment meets performance requirements of ASTM F-462-78.
- The basic shower conforms to ANSI Z124.2.
- Nominal Dimensions: Inside: 35 x 35" (889 x 889)
Outside: 42 $\frac{3}{4}$ " x 37 $\frac{1}{2}$ " (1086 x 953)
Pit Roughing-In: 43 $\frac{1}{4}$ " x 38" (1099 x 965)
- Factory installed components are provided with additional back reinforcements to provide code complying structural integrity. In addition, these components are sealed from the backside.

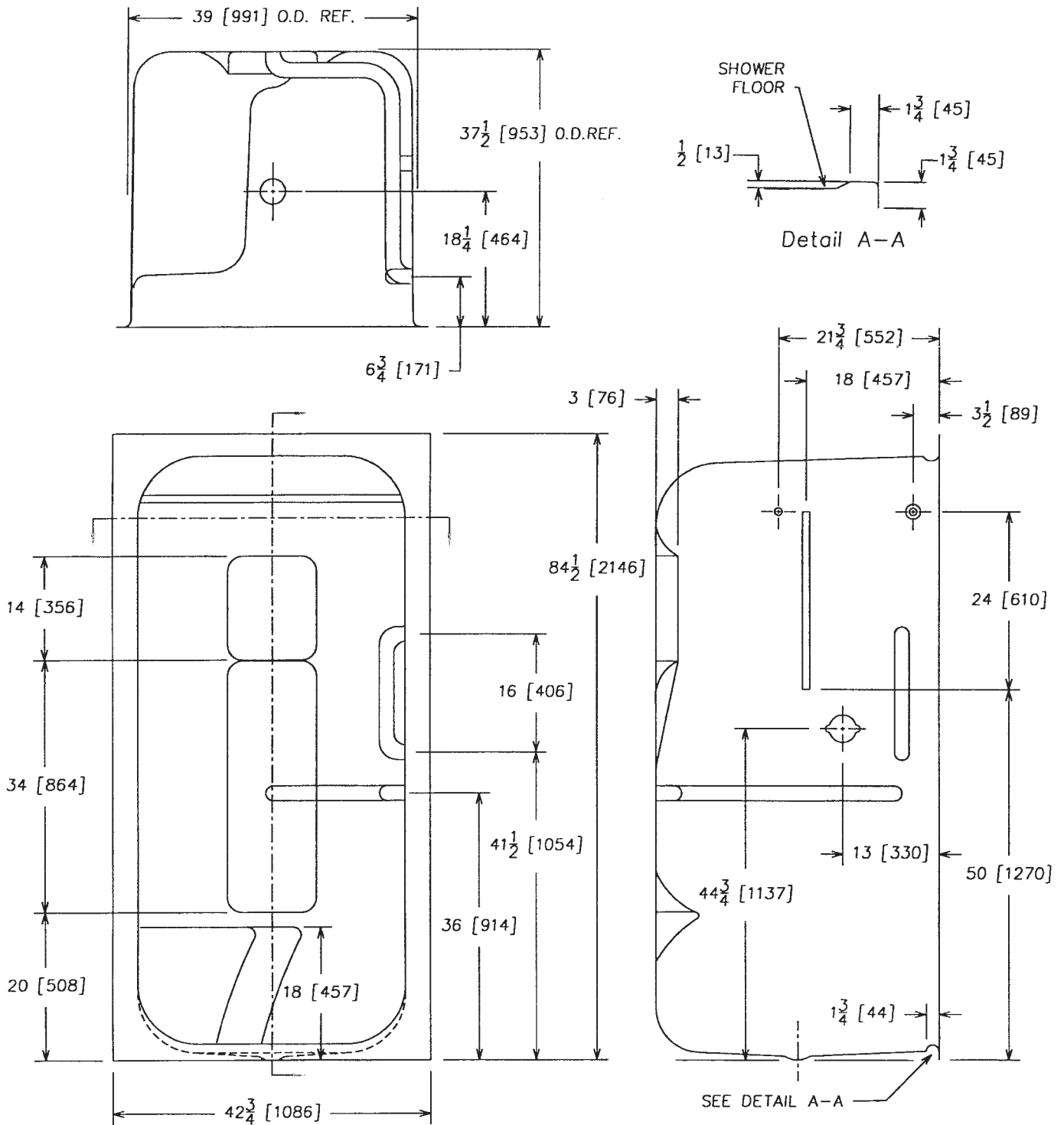
OPTIONS

- Dome Light. (1001/1021)
- 2" (51) plastic drain with chrome plated strainer. (PD2)
- 2" (51) cast brass drain with chrome plated strainer. (H30)
- White shower curtain with hooks. (C3)
- Lucite® acrylic sheet containing Microban® antimicrobial product protection. Available in white and bone only. (MBP)

Lucite is a registered trademark of INEOS Acrylics, Inc. Microban is a registered trademark of Microban Products Company, Huntersville, NC.

One Piece Acrylic Shower Module

A4238.02GL



IMPORTANT: Roughing-in dimensions may vary 1/2" and are subject to change or cancellation without prior notice. No responsibility is assumed for use of superseded or voided leaflets.