



### One Piece Shower Module Cast Acrylic

## FEATURES

- **A 4838.06G R/L**

*The unit is molded with an integral seat and a shampoo/soap shelf located on the side wall. All units have an anti-skid floor treatment.*

*The unit shall be installed in a pit 1¼" (44) deep so that the finished floor will be level with the top of the threshold.*

*Unit must be set in a mortar base, leveled and any clearances between the pit opening and the unit be filled with mortar. Shimming is necessary. It is recommended that a floor drain at or near the entrance to the shower be included.*

*The factory supplied components are to include one stainless steel wrap around grab bar, one stainless steel vertical grab bar, an integral seat, and a stainless steel curtain rod.*

*The unit is thermoformed from a continuous cast acrylic sheet into a one piece, seamless unit. The unit is reinforced with a composite matrix. The unit has a backside fire rating of "A" and a flame spread of 25.*

## NOTES

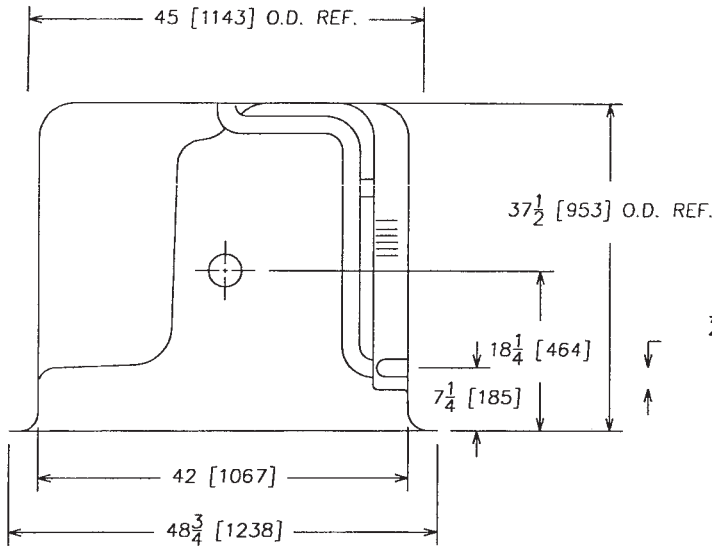
- Anti-skid floor treatment meets performance requirements of ASTM F-462-78.
- The basic shower conforms to ANSI Z124.2.
- Nominal Dimensions: Inside: 42" x 36½" (1067 x 927)  
Outside: 48¾" x 37¾" (1238 x 959)  
Pit Roughing-In: 49¼" x 38¼" (1251 x 972)
- Factory installed components are provided with additional back reinforcements to provide code complying structural integrity. In addition, these components are sealed from the backside.

## OPTIONS

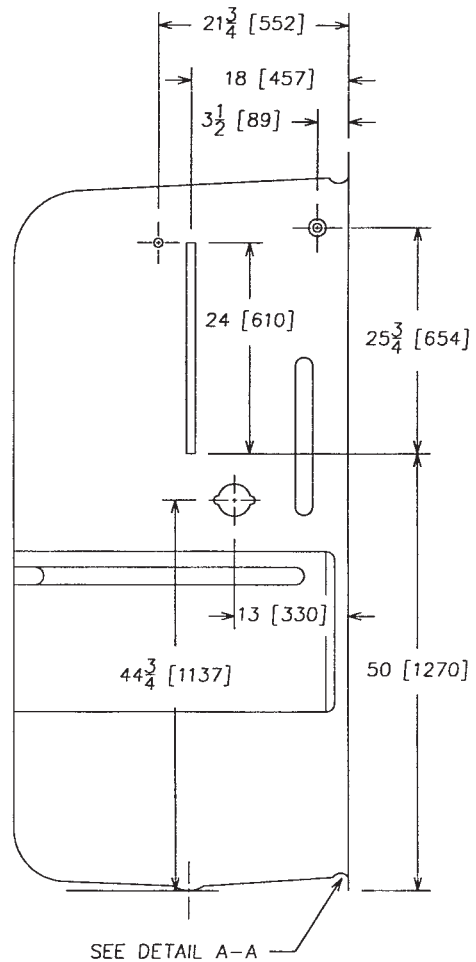
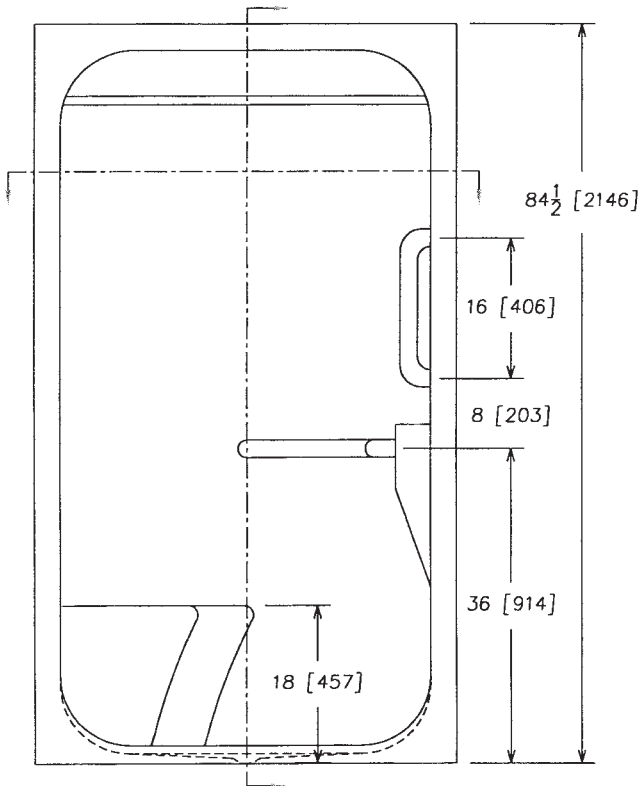
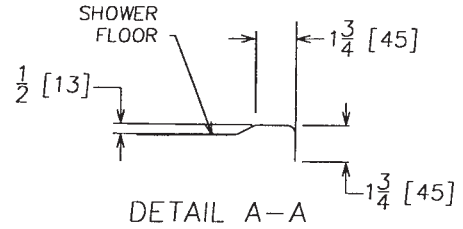
- Dome Light. (1001/1021)
- 2" (51) plastic drain with chrome plated strainer. (PD2)
- 2" (51) cast brass drain with chrome plated strainer. (H30)
- White shower curtain with hooks. (C3)
- Lucite® acrylic sheet containing Microban® antimicrobial product protection. Available in white and bone only. (MBP)

Lucite is a registered trademark of INEOS Acrylics, Inc. Microban is a registered trademark of Microban Products Company, Huntersville, NC.

## One Piece Cast Acrylic Shower Module



### A4838.06GL



**IMPORTANT:** Roughing-in dimensions may vary 1/2" and are subject to change or cancellation without prior notice. No responsibility is assumed for use of superseded or voided leaflets.