

INSTALLATION INSTRUCTIONS

Pre- Installation Planning

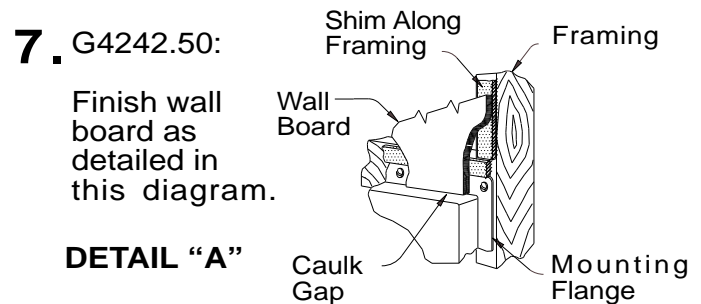
READ INSTRUCTIONS COMPLETELY BEFORE BEGINNING INSTALLATION.

1. Do Not store units out of doors.- Keep out of sunlight and exposure to weather.
2. Review Figures 1 and 2 to make sure alcove is of proper size. If a fire rated alcove is required, approved wall board must be installed prior to unit installation. Access to drain and supply connections should be provided so that these connections may be made after the unit has been installed. Framing alcove must reflect interior dimensions on diagram to permit installation of unit. Note in diagram the required opening in the floor to provide clearance for the drain trap and fitting connections.
3. Since these units are of one piece construction, no additional bottom support is required. Mortar or shims may be provided at owners preference.

Installation Procedure

1. Make certain your recessed framed pocket is square and plumb in accordance with the Framing Dimensions. When installing the A4242.02 shower, the front return walls and top header must be placed after the shower has been set. The G4242.50 shower does not require a top header.
2. Finish rough plumbing, but leave un- strapped at this stage. Find drain line and trap locations as shown in Framing Diagram.
3. Measure and mark locations of fittings on the finished side of the unit. Recheck locations and drill 1/4" pilot holes. Cut holes to final size using the appropriate size hole saw.
4. Drain fitting should be installed on shower according to the manufacturers instructions. Apply a bead of 100% silicone caulk around the drain opening before installing the fitting. Install washers in correct order and tighten nut.
5. Now move shower into place. If necessary, shim to proper height for flooring material specified. Position the unit at the open end of the framed pocket. Align the lower edge of the apron in approximate position and tilt back into place.

6. Plumb and level the G4242.50 in two directions: Place a level on top of the threshold, and against the finished front of the shower walls. Install wood shims under the edge of the apron to fill any gap. Mount unit to framing with 6d galvanized nails or screws through the mounting flanges, 8" on center vertically, and to all studs horizontally.



Mounting and finishing details are different for the A4242.02 shower.

See **DETAIL "B"** on the back of this sheet for information specific to that shower.

8. Make connections to supply and drain lines. Strap all lines to the framing. Install finish trim. Caulk if necessary.

Check for leaks before closing off plumbing access.

CAUTION

If you use a **RUBBER FLOOR MAT** in this tub or shower unit it must be removed after each usage. If left in the unit, it may cause blisters or damage to the surface finish.

Do not use abrasive cleaners

The most important caution is to avoid use of harsh abrasive cleaners or gritty scouring powders. To clean the unit, simply use a household liquid detergent with soft sponge cloth and warm water. More persistent stains, tar, or paint can be removed with naphtha or mineral spirits. Remove excess plaster by scraping with a sharpened soft wood stick. Avoid wire brushes, metal scrapers or tools. Restore dull areas by rubbing with automotive type body cleaning compound.

NOTE: We recommend URC Fiberglass Tub and Shower Cleaner.

Ask for it where you purchased your new unit.

FRAMING DIMENSIONS

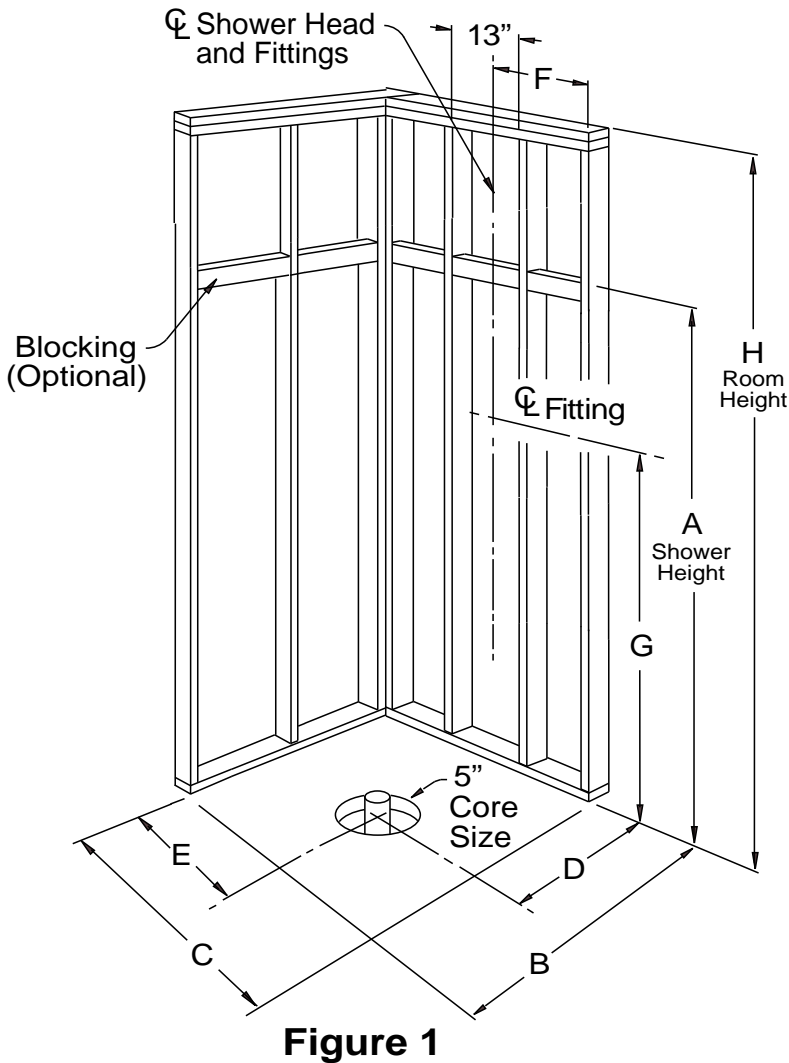


Figure 1

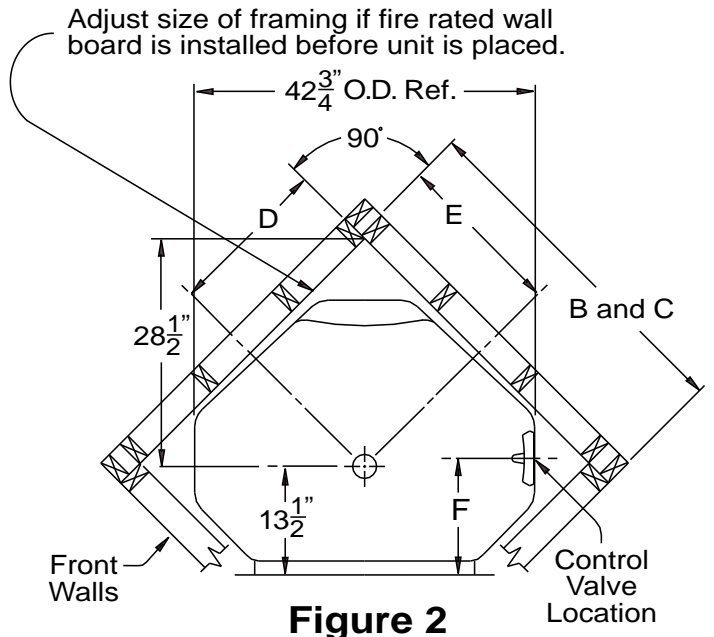


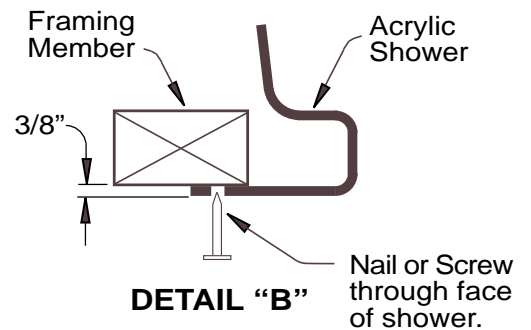
Figure 2

FRAMING SUGGESTION: A4242.02

The A4242.02 shower is a face mounted unit. Front walls illustrated should be sized and fabricated after the shower has been placed. Fasten the shower to the framing using 6d galvanized nails or screws through holes drilled every 8" along both sides and across the top. Wood framing is required behind the front face of the unit to receive the fasteners (Detail "B").

NOTE: Drill mounting holes near edge so fasteners will be covered by wall board or finishing materials. A wood header must be placed at the top. Finish by installing wall board and/or trim materials.

MODEL NO.	A	B	C	D	E	F	G	H
A4242.02	84 3/4"	43 1/4"	43 1/4"	20"	20"	14 1/2"	48"	N/A
G4242.50	79 1/2"	43 1/4"	43 1/4"	20 3/4"	20 3/4"	22 1/2"	48"	N/A



CR/PL 1235 Hartrey Avenue, Evanston, IL. 60202

LIMITED WARRANTY

CR/PL warrants its plumbing products against defects in material and workmanship for the following periods following installation:

Three Years: Fiberglass Bathing Fixtures (but not the fixtures thereto).

CR/PL, at its discretion, will repair, replace, or make an appropriate adjustment when an inspection by a manufacturer representative reveals that such defects have occurred under normal usage within the warranty period. The party making the warranty claim will provide evidence of either date of purchase or installation at the time of inspection. CR/PL shall be responsible for no other damages or liability whatsoever, consequential or otherwise, nor for labor, transportation or other expenses.

Since local code requirements vary greatly throughout the country, distributors, dealers, installation contractors, and users of plumbing products should determine whether there are any code restrictions on the use of a specific product. CR/PL makes no representation or warranty regarding, and shall not be responsible for, any code compliance.

THIS WARRANTY, AND THE EXPRESSED REMEDIES THEREUNDER, IS THE ONLY WARRANTY MADE WITH RESPECT TO THE PRODUCTS SOLD BY CR/PL, AND CR/PL MAKES NO OTHER WARRANTY, EXPRESSED OR IMPLIED WITH RESPECT TO SUCH PRODUCTS, INCLUDING (WITHOUT LIMITATION) WARRANTIES OF MERCHANTABILITY AND WARRANTIES OF FITNESS OR SUITABILITY FOR ANY PARTICULAR PURPOSE.

Some states do not allow limitations on how long an implied warranty lasts, or the exclusion or limitation of incidental or consequential damages, so this limitation and exclusion may not apply to you. This warranty gives you specific legal rights. You may also have other rights which vary from state to state.