

## INSTALLATION INSTRUCTIONS

### Pre-Installation Planning

READ INSTRUCTIONS COMPLETELY  
BEFORE BEGINNING INSTALLATION.

1. Do Not store units out of doors.- Keep out of sunlight and exposure to moisture.
2. Study all job prints, specifications and instructions. Check and verify dimensions on job print, with job conditions, check for level and quality of floor. **It is required that these units be set in a bed of mortar, making sure that the units are properly leveled and shimmed where necessary.** Check plans for wheelchair accessibility requirements.

**NOTE: Check plans for pit requirements. A.D.A. showers with wheelchair entry must be dropped into a pit or have a ramp provided for access.**

3. These units are too big to fit through average openings, Be sure to have units within the installation location before framing is complete. If preferred, studs may be omitted in one wall or installed without nailing to permit unit to be moved into place from either side.

4. With installations where plumbing is adjacent to masonry wall, access to plumbing connections must be provided. It is recommended to build a separate plumbing wall 6" from masonry wall. When rear of unit is against masonry wall, install furring strips on wall.

5. If fire walls are specified, finish fire rated drywall or equivalent should be in place before unit is installed. Fire rated wall or masonry construction needs access through plumbing wall, or connections are to be made from accessible side. Roughing-in dimensions as shown in the Framing Diagrams shall remain the same after installation of the fire rated drywall.

**NOTE: CR/PL, L.L.C. IS NOT RESPONSIBLE FOR FINAL INSTALLATION OF SHOWER MODULES AND COMPONENTS. THE INSTALLER IS RESPONSIBLE FOR ADHERING TO ALL A.D.A. GUIDELINES PERTAINING TO THE SELECTION, INSTALLATION AND PLACEMENT OF SHOWER MODULES AND COMPONENTS.**

### Installation Procedure

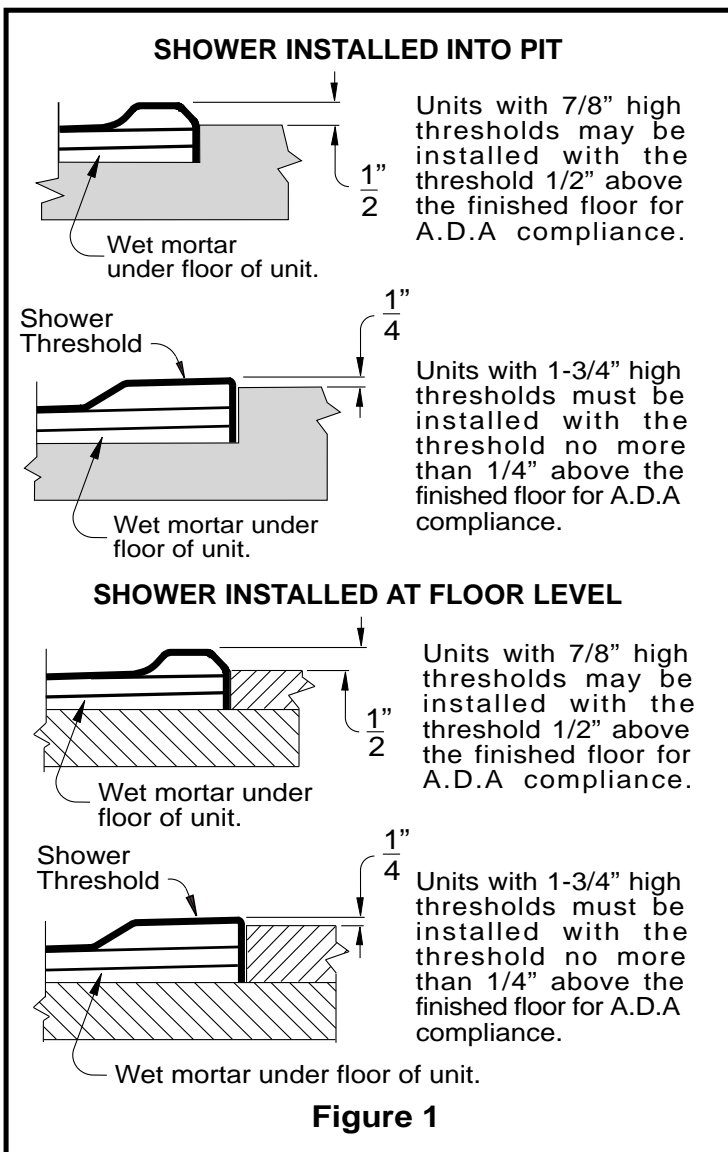
1. Make certain your recessed framed pocket is square and plumb in accordance with framing dimensions. You may use wood or metal 2 x 4 studs minimum. Install 1 x 2 furring strips for mounting unit. (See Figure 5). Some studding may remain loose or be temporarily omitted to permit unit installation into the framing pocket.
2. Provide a cutout in the floor to provide clearance for drain connection. See framing diagram (Figure 5) for cutout sizes.

Locate to dimensions shown (D and E) in framing diagrams.

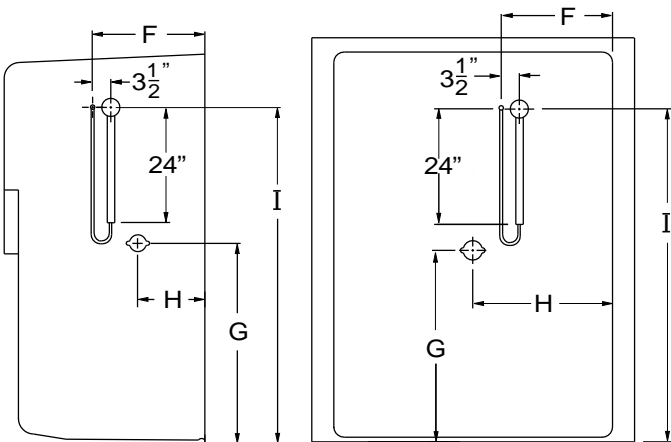
3. Note unit threshold height in the table below. Units with 7/8" thresholds may be installed with the threshold 1/2" above the the finished floor. All others must be installed with the threshold within 1/4" of the finished floor. This can be accomplished in the following ways: (1) Install unit into a pit. (2) elevate the finished floor. (3) A ramp can also be built leading into the unit. See the table below for the unit you are installing. This will help to determine the depth of the pit or floor build-up so the finished installation will comply with A.D.A. requirements.

<b>SHOWER THRESHOLD HEIGHT</b>	
UNITS WITH A THRESHOLD HEIGHT OF 7/8"	
MODEL :	A 3636.01      A 6036.01
	A 3636.02      A 6036.02
	A 6030.01      A 6036.03
	A 6030.02
UNITS WITH A THRESHOLD HEIGHT OF 1-3/4"	
MODEL :	A 3636.05      A 4838.06
	A 3636.06      A 4844.01
	A 4234.01      A 4844.02
	A 4234.02      A 4850.01
	A 4238.01      A 4850.02
	A 4238.02      A 5450.01
	A 4834.05      A 5450.02
	A 4834.06      A 6034.01
	A 4838.01      A 6034.02
	A 4838.02      A 6038.01
	A 4838.05      A 6038.02

Figure 1 indicates suggested methods to install the shower so it conforms to A.D.A requirements.



**4.** Units may be ordered pre drilled for valve and shower locations when the factory supplies the components. Otherwise, review applicable diagram in Figure 2. This shows the suggested locations for shower fittings. Letter indications are shown in unit dimensions table on Page 4. Mark on the outside of unit (reinforced surface) the location of all fittings.

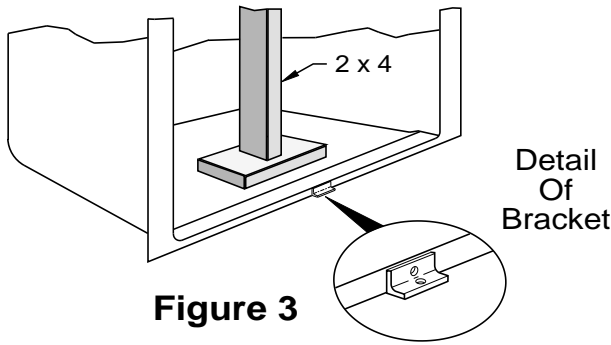


**NOTE: 36" SHOWERS MUST HAVE FITTINGS LOCATED ON THE SIDE WALL, OPPOSITE THE SEAT (IF ANY). 60" SHOWERS MAY HAVE THE FITTINGS LOCATED ON THE BACKWALL, OR SIDEWALL.**

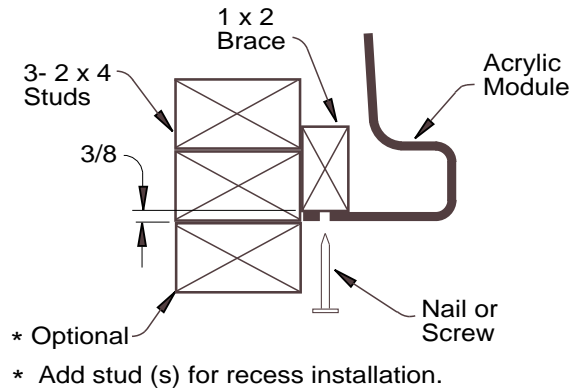
**Figure 2**

- 5.** Drill pilot holes for the fittings from the outside of the unit. Then from the inside out, use the proper size hole saw and drill openings for the fittings.
  - 6.** Install drain assembly onto unit according to the manufactures instructions. Apply a bead of silicone caulk, or plumbers putty around the drain opening in unit before installing the fitting.
  - 7.** Finish rough plumbing, but leave unstrapped at this stage. Find drain line and trap locations as shown on applicable framing diagram.
  - 8.** Place wet mortar or grout at installation location for unit support. Move unit into place. If necessary, shim to proper height for flooring material specified. Position the unit at the open end of the framed pocket. Align the lower edge of the apron in approximate position and tilt back into place.
  - 9.** Care must be taken when tilting the unit that the drain pipe lines up with the fitting. **NOTE: CARE MUST BE TAKEN NOT TO SUPPORT WEIGHT OF THE UNIT WITH DRAIN PIPE.**
  - 10.** Plumb and level the unit in two directions: Place a level on top of the apron or dam, and along the finished front of the unit vertically. Check floor of shower to make sure excessive mortar or grout under unit is not causing the floor to flex upward. Remove excessive grout if necessary.
  - 11.** Fasten both sides to the stud framing with panhead screws, using the holes provided in the face.
- NOTE: WHERE METAL STUDS ARE USED, SHEET METAL SCREWS MUST BE USED. RECOMMEND PRE-DRILLING INTO METAL STUDS.**
- CAUTION: DO NOT NAIL DIRECTLY INTO FACE. DRILL PILOT HOLES FOR NAILING.**
- NOTE: IF FLATHEAD SCREWS ARE TO BE USED, THEY MUST BE COUNTERSUNK INTO THE FACE TO PREVENT CRACKING THE UNIT. CR/PL. INC. IS NOT RESPONSIBLE FOR QUALITY OF WORKMANSHIP IN COUNTERSINKING**
- 12.** It is recommended that the floor be braced until the grout sets up. Use a 2 x 4 placed between the floor and top of the unit to apply **LIGHT** pressure to the floor. Pad the wood bracing with cardboard or cloth to avoid scratching the surface. Additionally, the center of the threshold may be fastened to the floor to prevent shifting. Use a galvanized metal bracket

(Available at hardware stores) or a drywall screw to fasten the center of the threshold to the floor. Make certain that the bracket or screw will not be visible after finished floor is in place. See Figure 4.



**Figure 3**



**Figure 4**

**MOUNTING AND FINISHING**

Acrylic unit should be fastened to the framing through the face of the unit. Drill pilot holes through the face if holes are not present. Holes should be located up both sides and across the top near the edge so that finished wall materials will cover the fasteners. Caulk all gaps between the edge of the wallboard and acrylic unit. Caulk seam between flooring and the threshold of the unit.

**13.** Make final connections to supply lines and waste pipe, in accordance with accepted and approved plumbing installation practice.

**14.** See Figure 4 for wallboard installation and finishing details. Install finished floor in accordance with A.D.A. requirements.

**FRAMING DIAGRAM FOR SHOWERS**

Indicated is a typical framing layout for installation of the shower. Refer to dimensional information for the model you are installing to construct the framing to the size required for that unit.

**NOTE: PROTECT AREA AROUND THE DRAIN DURING CAULKING AND LEADING OPERATIONS. ACRYLIC PLASTIC IS A COMBUSTIBLE THERMOPLASTIC. OBSERVE FIRE PRECAUTIONS APPROPRIATE FOR COMPARABLE FORMS OF WOOD. AVOID EXPOSURE TO HEAT OR AROMATIC SOLVENTS, SUCH AS BENZENE.**

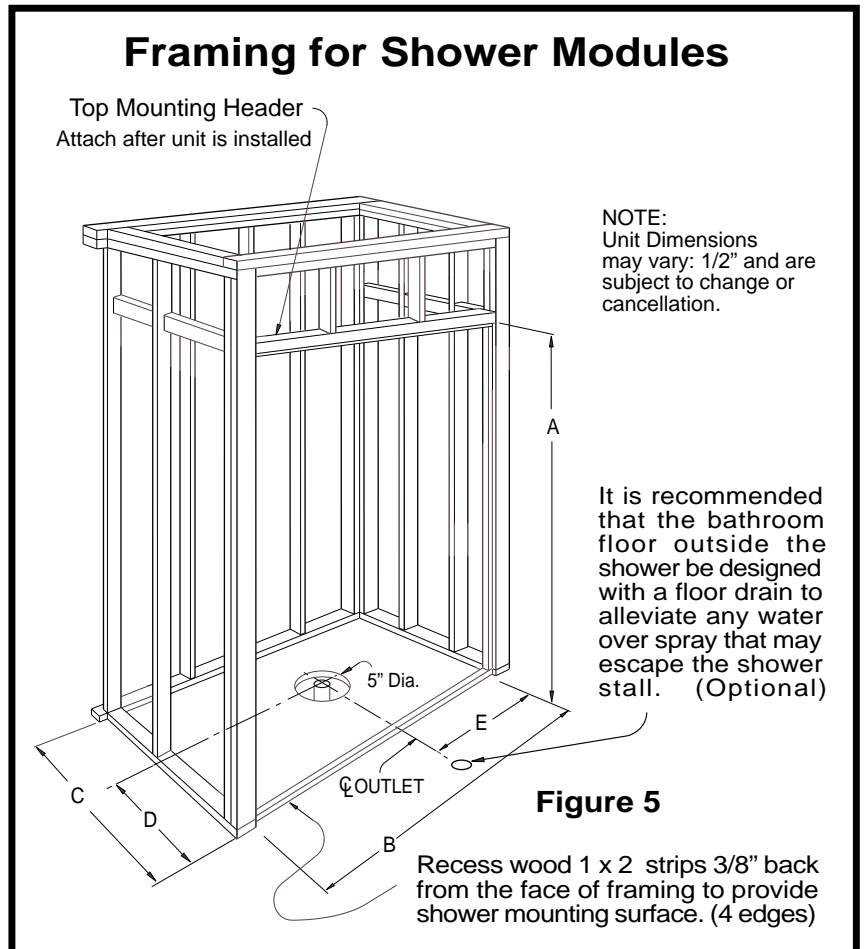
**CLEAN UP AND MAINTENANCE**

Avoid the use of abrasive or solvent based cleaners for clean up or daily maintenance. Plaster and other foreign materials can be removed by scraping with a sharpened soft wood stick. Do Not use metal scrapers, wire brushes, or other metal tools. One of the powder type detergents, such as Spic and Span, may be used dry on a damp cloth to provide mild abrasive action to remove the residual plaster. More persistent stains, tar or paint can be removed with naphtha or mineral spirits **only**.

We recommend **URC Fiberglass Tub and Shower Cleaner**.

Ask for it where your purchased your new unit.

Dulled areas may be restored by rubbing with automotive type body cleaning compound.



**Figure 5**

# ADA / Barrier Free Shower Module Dimensions

Model No.	Old No.	A	B	C	D	E	F	G	H	I
A3636.01 F	ADA3636S	84-1/2	44-1/2	39-1/2	18	22	21-3/4	44-3/4	13	72
A3636.02 G	ADA3636-New Seat	84-1/2	44-1/2	39-1/2	18	22	21-3/4	44-3/4	13	72
A3636.05 F	6536/6537	84-1/2	42	37	18	21	21-3/4	43-1/2	9	76
A3636.06 G	6536/6537M	84-1/2	42	37	18	21	21-3/4	43-1/2	9	76
A4234.01 F	MSH311-New Depth	84-1/2	43-1/4	34	16-1/4	21-5/8	21-3/4	44-3/4	13	74
A4234.02 G	MSH311-New Depth,Seat	84-1/2	43-1/4	34	16-1/4	21-5/8	21-3/4	44-3/4	13	74
A4238.01 F	MSH 311S-New Drain	84-1/2	43-1/4	38	18-1/4	21-5/8	21-3/4	44-3/4	13	74
A4238.02 G	MSH 312S-New Drain	84-1/2	43-1/4	38	18-1/4	21-5/8	21-3/4	44-3/4	13	74
A4238.01 F	MSI324-New Threshold	84-1/2	49-1/4	38	18-1/4	24-5/8	21-3/4	44-3/4	13	74
A4238.02 G	MSI324-New Threshold,Seat	84-1/2	49-1/4	38	18-1/4	24-5/8	21-3/4	44-3/4	13	74
A4834.05 G	New	84-3/4	48-3/4	33-1/2	16-1/4	24-3/8	21-3/4	44-3/4	13	74
A4834.06 G	New	84-3/4	48-3/4	33-1/2	16-1/4	24-3/8	21-3/4	44-3/4	13	74
A4838.05 F	MSH310-New Drain	84-1/2	49-1/4	38	18-1/4	24-5/8	21-3/4	44-3/4	13	74
A4838.06 G	MSH315S-New Drain	84-1/2	49-1/4	38	18-1/4	24-5/8	21-3/4	44-3/4	13	74
A4844.01 F	MSH314S-New Drain	84-1/2	49-1/4	44	21	24-5/8	21-3/4	44-3/4	13	74
A4844.02 G	MSH314S-New Drain, Seat	84-1/2	49-1/4	44	21	24-5/8	21-3/4	44-3/4	13	74
A4850.01 F	MSH316S-New									
A4850.02 R/L	MSH316-New									
A5450.01 F	MSH346S-New Drain	84-1/2	55-1/4	50	24-1/2	27-5/8	21-3/4	44-3/4	13	74
A5450.02 G	MSH347S-New Drain	84-1/2	55-1/4	50	24-1/2	27-5/8	21-3/4	44-3/4	13	74
A6030.01 G	ADA6030G	84-1/2	69-1/4	34	18	34-5/8	21-3/4	44-3/4	27	72
A6030.01 F	ADA6030S	84-1/2	69-1/4	34	18	34-5/8	21-3/4	44-3/4	27	72
A6030.02 G	ADA6030-New Seat	84-1/2	69-1/4	34	18	34-5/8	21-3/4	44-3/4	27	72
A6034.01 F	MSH317-New 32" Depth	84-1/2	61-1/4	34	16-1/4	30-5/8	21-3/4	44-3/4	13	72
A6034.02 G	MSH317-New 32" Depth	84-1/2	61-1/4	34	16-1/4	30-5/8	21-3/4	44-3/4	13	74
A6036.01 G	ADA6036G	84-1/2	69-1/4	37	18	34-5/8	21-3/4	44-3/4	27	72
A6036.01 F	ADA6036S	84-1/2	69-1/4	37	18	34-5/8	21-3/4	44-3/4	27	72
A6036.02 G	ADA6036-New Seat	84-1/2	69-1/4	37	18	34-5/8	21-3/4	44-3/4	27	72
A6036.03 F	ADA6036-New Seat	84-1/2	69-1/4	37	18	34-5/8	21-3/4	44-3/4	27	72
A6038.01 G	MSH317G-New Seat	84-1/2	61-1/4	38	18-1/4	30-5/8	21-3/4	44-3/4	13	74
A6038.01 F	MSH317G-New Seat	84-1/2	61-1/4	38	18-1/4	30-5/8	21-3/4	44-3/4	13	74
A6038.02 G	MSH318S-New Drain, Seat	84-1/2	61-1/4	38	18-1/4	30-5/8	21-3/4	44-3/4	13	74

CR/PL 1235 Hartrey Avenue Evanston, IL. 60202

Installation Questions: (800) 955-0218

## LIMITED WARRANTY

Crane Plumbing L.L.C. warrants its plumbing products against defects in material and workmanship for the following periods following installation:

Three Years: Acrylic Bathing Fixtures (but not the fixtures thereto).

Crane Plumbing L.L.C. at its discretion, will repair, replace, or make an appropriate adjustment when an inspection by a manufacturer representative reveals that such defects have occurred under normal usage within the warranty period. The party making the warranty claim will provide evidence of either date of purchase or installation at the time of inspection. Crane Plumbing L.L.C. shall be responsible for no other damages or liability whatsoever, consequential or otherwise, nor for labor, transportation or other expenses.

Since local code requirements vary greatly throughout the country, distributors, dealers, installation contractors and users of plumbing products should determine whether there are any code restrictions on the use of a specific product. Crane Plumbing L.L.C. makes no representation or warranty regarding, and shall not be responsible for, any code compliance.

THIS WARRANTY, AND THE EXPRESSED REMEDIES THEREUNDER, IS THE ONLY WARRANTY MADE WITH RESPECT TO THE PRODUCTS SOLD BY CRANE PLUMBING L.L.C. AND CRANE PLUMBING L.L.C. MAKES NO OTHER WARRANTY, EXPRESSED OR IMPLIED WITH RESPECT TO SUCH PRODUCTS, INCLUDING (WITHOUT LIMITATION) WARRANTIES OF MERCHANTABILITY AND WARRANTIES OF FITNESS OR SUITABILITY FOR ANY PARTICULAR PURPOSE.

Some states do not allow limitations on how long an implied warranty lasts, or the exclusion or limitation of incidental or consequential damages, so this limitation and exclusion may not apply to you. This warranty gives you specific legal rights. You may also have other rights which vary from state to state.