

**FIAT**  
**PRODUCTS LTD**



One Piece Tub Shower

# **Installation Manual** **& Warranty Information**



Acrylic Bathware by

**Fiat Products Ltd**

255 Hutchings Street, Winnipeg, MB, R2X 2R4 Ph# 204-633-6122

Rev 05/03

# Pre-Installation Planning

Do not store units out of doors, Keep out of sunlight and exposure to moisture.

Read instructions entirely before starting.

These one-piece tub/shower enclosures are designed for new construction and are too big to fit through average openings, so move unit into installation area before framing is complete. Keep unit cartoned for protection, center on hand truck, and handle with care.

A protective plastic has been applied to the front face of the unit. It is advised to leave this plastic on during installation to prevent the acrylic from scratching.

A protective piece of cardboard, about the same size as the floor of the unit, should be cut from the cardboard face cover and placed within the bottom of the unit.

The cardboard face cover should also be used after installation is complete to protect the unit during the construction period.

If a fire rated alcove is required, approved finish material must be installed prior to unit installation.

Access to drain and supply connections should be provided so that these connections may be made after the unit has been installed.

All plumbing and electrical shall be installed in accordance with inspection authority requirements and local codes by qualified personnel.

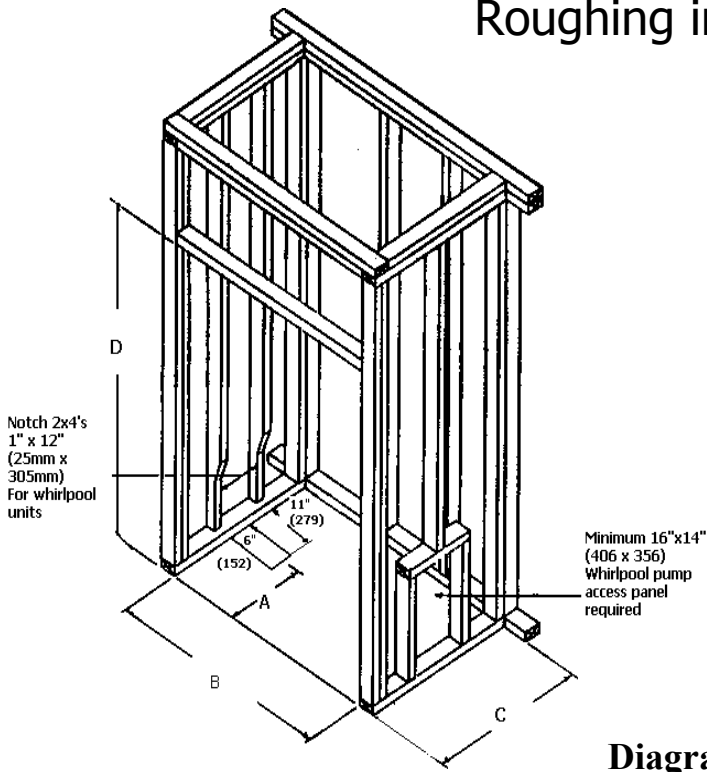
Check and verify all dimensions

**WHIRLPOOL PUMPS SHALL HAVE GROUND FAULT CIRCUIT PROTECTION (SUPPLIED BY OTHERS) WHICH WILL PROVIDE ADDITIONAL PROTECTION AGAINST LINE-TO-GROUND SHOCK HAZZARD. A 120V, 20 amp., 60 Hz. SEPARATE CIRCUIT IS REQUIRED.**

**All statements, technical information, and recommendations contained herein are based on tests we believe to be reliable; but the accuracy or completeness thereof is not guaranteed, and the following is made in lieu of all warranties, expressed or implied. Neither seller nor manufacturer shall be liable for any injury, loss or damage, direct or consequential, arising out of the use of or the inability to the product. Before using, the user shall determine the suitability of the product for the intended use and user assumes all risk and liability whatsoever in connection therewith. No statement or recommendation contained herein shall have any force or effect, unless it is in an agreement signed by officers of seller or manufacturer.**

# One Piece Acrylic Tub Showers

## Roughing in Diagrams

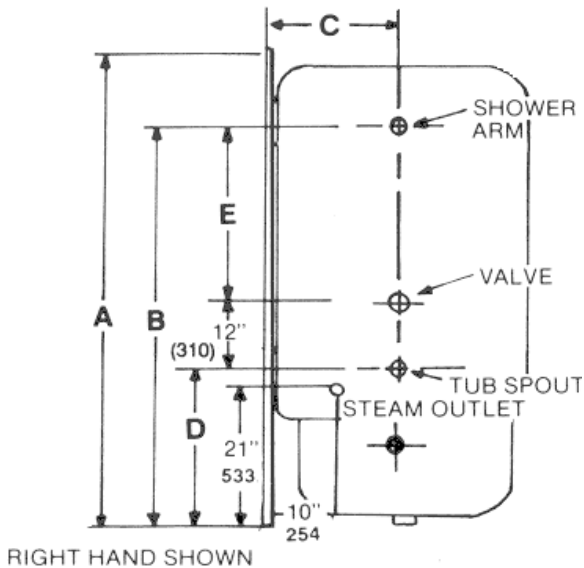


	A	B	C	D
<b>6200</b>	15½" (394)	60 ¼" (1530)	31" (787)	86 ¾" (2203)
<b>6035</b>	13" (330)	60 ¼" (1530)	36" (914)	86 ¼" (2191)
<b>6035 B (Bubbler)</b>	13" (330)	60 ¼" (1530)	36" (914)	89 ¾" (2280)

See Diagram 3 for model 377

**Note:** For units with whirlpool systems you should frame the back wall and plumbing wall and then frame the opposite wall after the unit is in position.

**Diagram 1**



	A	B	C	D	E
<b>6200</b>	87½" (2223)	80" (2032)	15½" (394)	22" (559)	46" (1168)
<b>6035</b>	87" (2210)	79 ½" (2019)	13" (330)	22" (559)	45 ½" (1156)
<b>6035 B (Bubbler)</b>	90" (2286)	82 ½" (2096)	13" (330)	25" (635)	45 ½" (1156)

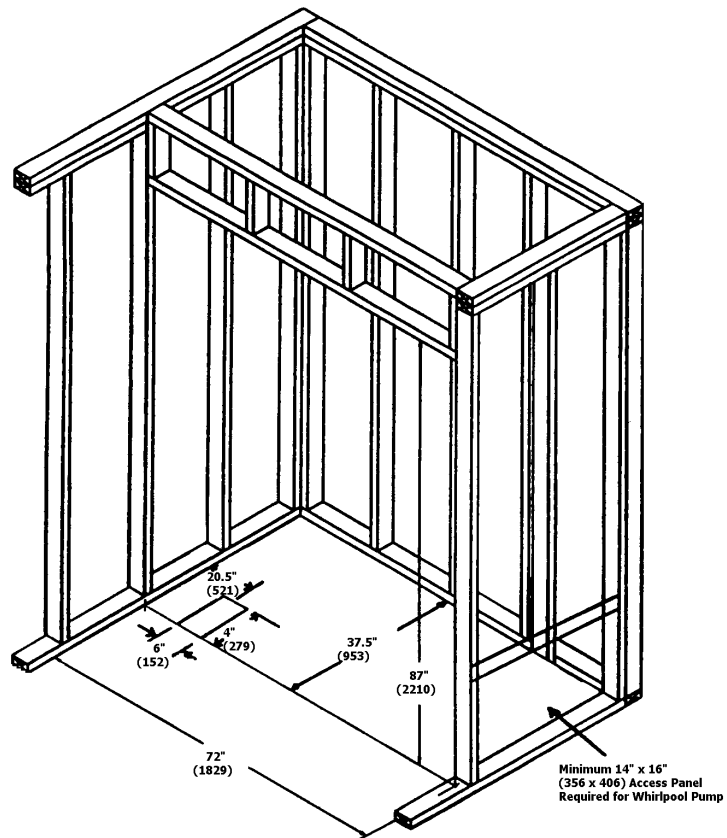
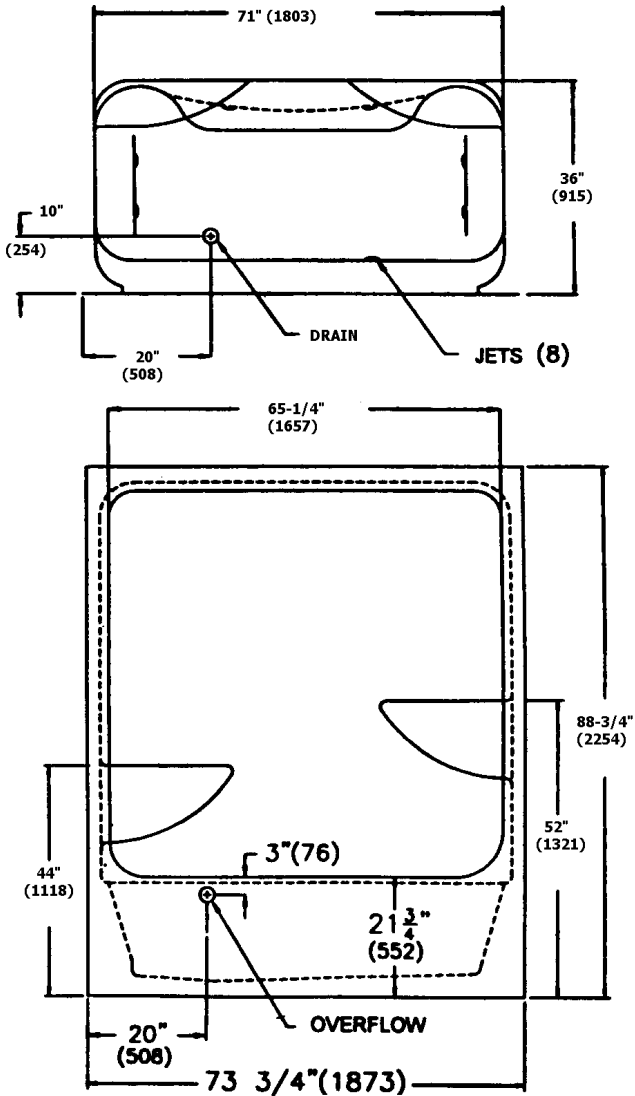
**Note:** When Locating plumbing and drilling holes, always measure from the back side of the screw flange and the front side of stud where flange will be mounted.

**Note:** 21" dimension for steam outlet becomes 24" for the 6035-B series units with bubbler systems and becomes 26" for model 377 series units.

**Diagram 2**

# Roughing in Diagram for MTS 377

**Note:** Dimensions may vary +/- 1/4" (6mm) and are subject to revisions.



**Note:** For units with whirlpool systems you should frame the back wall and plumbing wall and then frame the opposite wall after the unit is in position.

Diagram 3

# Roughing-in Details

The framing procedure can be used with either wood or metal studs. If Metal studs are used it may be necessary to stiffen the metal studs supporting the screw the flange of unit with wood inserts.

1. Before framing is started, check level and quality of floor. Make sure sub-floor is sturdy and level.
2. Rough in 2" x 4" studs at standard room height to dimensions shown in Diagram 1. The studding across the top front of the tub shower should be installed after installation of the unit. **See note below for units with whirlpool systems.**
3. Check framed-in area for proper size and ensure studding is straight, square and plumb.
4. Provide a hole in the floor to permit clearance for drain connection. For Model 6200 and 6035 locate to dimensions shown on Diagram 1. For model 377 locate to dimensions shown in Diagram 3.
5. Install plumbing tree within framing, by using measurements from diagram 2. Measurements are taken from the front end of the studs that were installed to accommodate the screw flange.

**NOTE:** On the 6035 series models, we recommend the use of a single lever fitting. The installation of twin valve 8" (203mm) spread fitting requires the holes to be drilled offset. This would mean that the shower head and 8" (203mm) fitting will not be inline with the waste and overflow.

6. Check plumbing for any leaks.

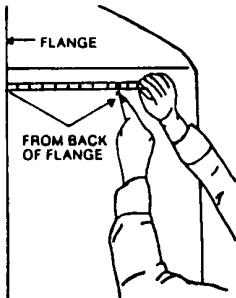
**NOTE FOR STEAM UITS ONLY:** Steam head must be plumbed and steam control must be installed before unit is closed in. Access must be provided to steam generator and should be sufficient to install, repair or replace the steam generator.

**NOTE FOR WHIRLPOOL UNITS ONLY:** Access panel must be provided for connection and service to whirlpool motor, and should be sufficient to repair or replace the pump and motor. A minimum of 16" X 14" [406] X [356] is recommended as shown in Diagram 1. Frame should be notched as shown in diagram 1 to allow for whirlpool pipes. In many cases it is best to frame the plumbing side and back side of frame first, then position the tub before framing the wall on the pump and motor side to allow for clearance while positioning the unit.

**THE WHIRLPOOL PUMP SHOULD NOT BE RELOCATED. DO NOT MODIFY THE WHIRLPOOL SYSTEM, AS THIS WILL ADVERSLY AFFECT THE PERFORMANCE AND SAFETY OPERATION OF THE WHIRLPOOL. FIAT SHALL NOT BE LIABLE UNDER ITS WARRANTY OR OTHERWISE FOR PERSONEL INJURY OR DAMAGE BY ANY SUCH MODIFICATION.**

# One Piece Acrylic Tub Shower

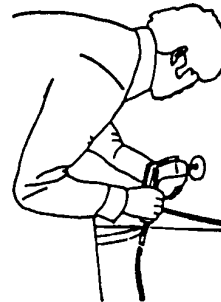
## Installation Instructions



### Step 1

On the fiberglass side of the unit, mark the location for filler spout, valve and showerhead as shown in Diagram 2.

Make sure the measurement is taken from the backside of the screw flange as illustrated.



### Step 2

Drill  $\frac{1}{4}$ " pilot holes at locations marked from the outside of unit.

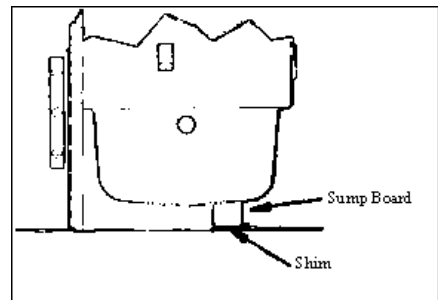
From the inside of the unit, using proper sized hole saws, cut opening for valves and showerhead using pilot hole as guide. For models with steam option a  $\frac{1}{4}$ " (32) hole saw should be used for the steam outlet.



### Step 3

Install unit into stud opening by placing bottom flange directly against the front studding and tip unit into place.

If front studding has been removed to allow for the whirlpool, carefully slide the unit into framing and replace front studding before proceeding. **Do not handle or support unit by whirlpool pump or piping.**



### Step 4

Once unit is in place, level unit vertically and horizontally and shim accordingly. All shims should be placed under the sump support board. Nail or glue shims in place if possible.

# One Piece Acrylic Tub Shower

## Installation Instructions continued:

### Step 5

Once unit is level, fasten both side flanges to the studs with 1½" drywall screws using the predrilled flange holes. Sheet metal screws must be used where metal studs have been used. **Note:** frame wall opposite the plumbing wall need to be completed if it was omitted for installation of units with whirlpool systems.

### Step 6

Install the top 2" x 4" brace into place and fasten unit with 1½" drywall screws using the predrilled flange holes.

### Step 7

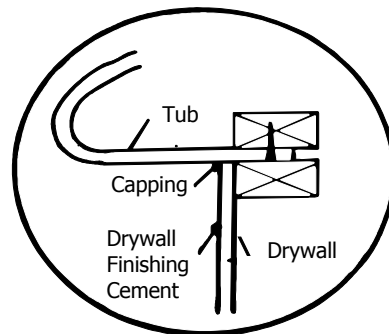
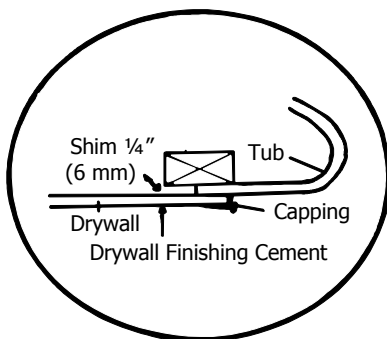
Make final connections for plumbing and test for leaks. Drain and overflow should be installed according to manufactures instructions, apply a bead of silicone around the drain opening on the acrylic side of unit before installing the drain fitting.

Note: If your unit is equipped with a whirlpool, blower or steam system, complete the installation of the electrical and or plumbing systems as per local codes and manufactures instructions for the particular component and test before closing in the walls.

If your unit was equipped with a whirlpool system - cut and remove the metal strap holding the motor to the base of the unit. Water test the whirlpool system for any leaks by ensuring all dirt and debris are removed from the unit and water is filled to 1 1/2" (38mm) below the overflow before starting the pump. **Never start the pump unless the tub is filled with water as describe above.**

### Step 8

Finish off the the front of the unit. Two options are illustrated bellow for finishing with drywall, you may chose alternative methods such as decorative trims. Caulking can be used to fill any gaps between the drywall and acrylic surface.



# Cleaning and care of Acrylic Bath ware

Acrylic bathware is molded of colorfast acrylic to provide a thick, smooth, super strong surface. It is reinforced with fibreglass for years of durable service.

For day to day cleaning, use only liquid or foam cleaners with a soft cloth.

## **NEVER USE ABRASIVE CLEANERS UNDER ANY CIRCUMSTANCES!**

Dull area may be restored or light scratches removed, by rubbing with an automotive rubbing compound, followed by a light application of liquid or automotive car wax. If the unit has been damaged in any way, contact your local distributor for local repair service.

**Note:** Whirlpool System must be flushed every 90 days as follows:

Fill the bath with hot water only. Add to hot water 2 teaspoons low foaming dishwashing detergent such as Cascade or Calgonite. Run the whirlpool for 10 to 15 minutes. Drain the bath completely. Fill the bath with cold water only. Run the whirlpool for 5 to 10 minutes. Drain bath completely.

**WARNING:** Soap and water should only be used for the cleaning of the decorative screened glass. Avoid any cleaning agents labelled with a corrosive warning sign.

**FIAT**  
Products Ltd.

## **National Customer Assistance Group**

255 Hutchings Street  
Winnipeg, Manitoba R2X 2R4  
Phone: 204-633-6122  
Fax: 204-632-4854

# LIMITED WARRANTY

## **Please read carefully**

All Fiat bathware is manufactured to achieve the highest standards of quality, and will provide trouble-free service under normal conditions. Fiat Products Ltd. warrants to the purchaser that each unit is free from defects in material and workmanship for the periods from the date of sale to the original owner/end user. In all cases, the party making the warranty claim will provide evidence of either date of purchase or installation.

### 1. Acrylic Products:

- a. Regular Acrylic Shells - 5 years
- b. Steam Suite Shells - 3 years (Commercial application - 1 year)
- c. Custom Comfort / Barrier Free Shells - 5 years
- d. Doors - 1 year

Note: Use of any steam generator other than the appropriately sized Fiat make may nullify this warranty.

The obligation of Fiat Products Ltd. is limited to making good, at its factory or through authorized repair depots, any defect that, in the opinion of Fiat Products Ltd., results in a legitimate claim. Failure which is due to accident, transportation, abuse, incorrect installation, neglect, normal or abnormal wear and tear, in the opinion of Fiat Products Ltd., is not covered by this warranty. In no event will Fiat Products Ltd. be responsible for consequential damage.

This warranty does not cover labour, freight, or handling on replacement parts, components or units. Under the terms of this warranty such replacements will be F.O.B. our factory. This warranty is declared expressly to be given in lieu of all other warranties, expressed or implied, and in lieu of all other obligations and liabilities on the part of Fiat Products Ltd. Fiat Products Ltd. neither assumes nor authorizes any other person to assume for it any liability in connection with the sale of its products.

Warranty of products of another manufacturer sold by Fiat Products Ltd. Is limited to the warranty extended to Fiat Products Ltd. by such manufacturer.

Whirlpool & steam components and fittings are covered by their own individual manufacturer's warranties. Consult instruction booklet for warranty depot listing.

### **Care and Maintenance of Fiat Bathware**

1. Acrylic resists body oils, grease and most household chemicals. To clean Fiat acrylic bathware, use only a damp cloth, with foam or liquid cleaner. UNDER NO CIRCUMSTANCES USE AN ABRASIVE CLEANER.
2. If a dull spot appears, rub the area with automobile fiberglass cleaning compound, then wax and buff.
3. A special refinishing kit for use in removing scratches and marks can be obtained from Fiat.
4. Major repairs should be made by the regional repair depot. Contact FIAT for the depot nearest you.

Fiat Products Ltd.

A SUBSIDIARY OF CR/PL, EVENSTON, IL