

# FIAT



PRODUCTS LTD

## ONE PIECE

TUB SHOWER

# Installation Manual



Acrylic Bathware by

**Fiat Products Ltd**

255 Hutchings Street, Winnipeg, MB, R2X 2R4 Ph# 204-633-6122

# ACRYLIC BATHWARE

## PRE-INSTALLATION PLANNING

MODEL 2010 -16" (406 MM) WASTE AND OVERFLOW REQUIRED

MODEL MTS 6200 - STANDARD WASTE AND OVERFLOW

MODEL MTS 360 - STANDARD WASTE AND OVERFLOW

MODEL MTS 377 - STANDARD WASTE AND OVERFLOW

The one-piece tub/shower enclosures are designed for new construction and must be within the installation locations before framing is complete.

A protective plastic has been applied to the front face of the unit. It is advised to leave this plastic on during installation to prevent the acrylic from scratching. A protective piece of cardboard, about the same size as the floor of the unit, should be cut from the cardboard face cover and placed within the bottom of the unit. The cardboard face cover should also be used after installation is complete to protect the unit during the construction period.

### Check and Verify All Dimensions

All plumbing and electrical shall be installed in accordance with inspection authorities requirement. If fire rated walls are specified, finished fire rate boards should be in place before units are installed.

Tools and materials required: (Other than standard plumbing equipment)

- High speed drill
- Tape measure
- Level
- Hole saws (sized for brass set)
- Shims

---

## ROUGHING - IN DETAILS - ALL MODELS

The framing procedure shown can be used with either wood or metal studs:

**NOTE:** Wood inserts may have to be used to stiffen metal studs supporting screw flange of unit.

1. Before framing is started, check level and quality of floor, make sure sub-floor is sturdy.
2. Rough-in 2 x 4 studs at standard room height to dimensions shown. Check framed-in area for proper size and ensure studding is straight, square and plumb.
3. The studding across the top front of the unit can remain loose or installed after installation of tub/shower unit if ceiling height permits.

**NOTE:** For whirlpool/steam models: The front corner studs may have to be removed for installation. Replace the studs when unit is in position. Also, studding will have to be notched to allow clearance for whirlpool jets (see detail drawing).

**NOTE:** Access must be provided to pump and/or generator. Opening should be sufficient to install, repair or replace. See drawing for access panel dimensions.

4. Install plumbing tree within framing, by using measurements from diagram. Measurements are taken from the front end of the new studs that were installed to accommodate the screw flange.

**NOTE:** *On the 2010 series model, we recommend the use of a single lever fitting.* The installation of twin valve 8" (203mm) spread fittings requires the holes to be drilled offset. This would mean that the shower head and 8" (203mm) fitting will not be inline with the waste and overflow.

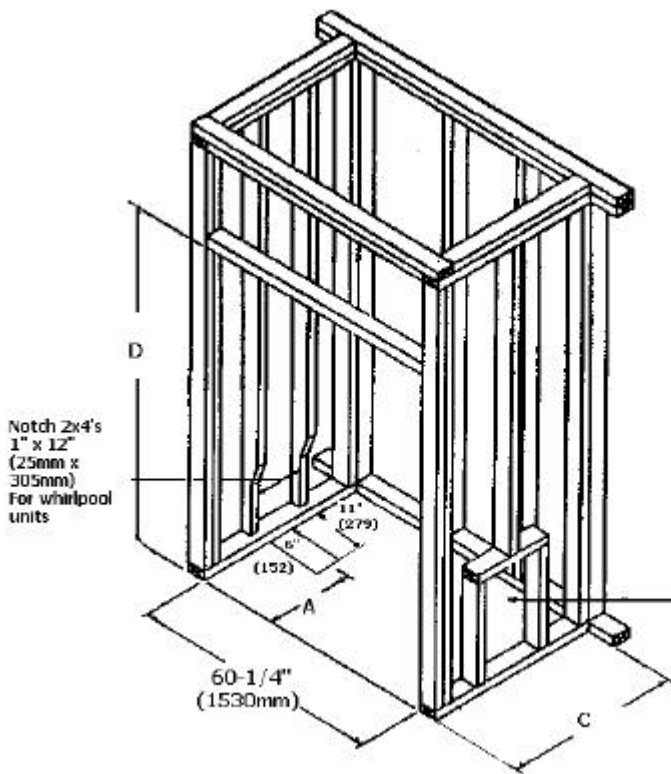
5. Check plumbing for any leaks.
6. **For steam units only** – plumbing for the steam head must also be completed before unit is installed, unless access panel has been provided.

Installation is subject to regulation of the local inspection authorities having jurisdiction.

**CAUTIONS: DO NOT LIFT WHIRLPOOL BY PIPING. CARE MUST BE TAKEN TO AVOID DAMAGING WHIRLPOOL TUB BY FORCING IT THROUGH TOO NARROW A STUD OPENING. CARE MUST BE TAKEN NOT TO SUPPORT WEIGHT OF TUB WITH DRAIN PIPE.**

- All statements, technical information, and recommendations contained herein are based on tests we believe to be reliable; but the accuracy or completeness thereof is not guaranteed, and the following is made in lieu of all warranties, expressed or implied.
- Neither seller nor manufacturer shall be liable for any injury, loss or damage, direct or consequential, arising out of the use of or the inability to the product. Before using, the user shall determine the suitability of the product for the intended use and user assumes all risk and liability whatsoever in connection therewith. No statement or recommendation contained herein shall have any force or effect, unless it is in an agreement signed by officers of seller or manufacturer.
- All whirlpool systems have been tested in-house before leaving the factory. Every system is tested under actual usage, ensuring proper functioning of mechanical and electrical systems, resulting in many years of safe, trouble-free usage.

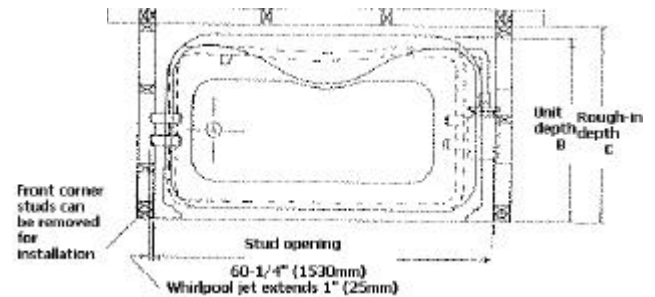
## ROUGHING-IN DETAILS



	A	B	C	D
<b>2010</b>	13" (330)	34" (864)	35" (889)	88½" (2248)
<b>6200</b>	15½" (394)	30½" (775)	31" (787)	86½" (2197)
<b>360</b>	18" (457)	35" (889)	36" (914)	86½" (2197)

**NOTE:** 377 Rough-in details are on page 6

Minimum 16"x14"  
(406 x 356)  
whirlpool pump  
access panel  
required



## INSTALLATION PROCEDURE

### STEP 1.

On the fiberglass side of the unit, mark the location for filler spout, taps and showerhead, making sure the measurement is taken from the backside of the screw flange. **(DIAGRAM A)**. Drill pilot holes at locations marked from the outside of unit.

### STEP 2.

From the inside of the unit, using proper sized hole saws, cut opening for supply lines and showerhead using pilot hole as guide. **(DIAGRAM B)**

\* A 1" (25 mm) hole saw should be used for the steam outlet in the unit.

### STEP 3.

Install drain and overflow to the unit before installation if no access panel is provided for plumbing.

\* A 16" (406 mm) waste/overflow set is required on 2010 series models.

### STEP 4.

Install unit into stud opening by placing bottom flange directly against the front studding and tip unit into place. If front studding has been removed to allow for the whirlpool, carefully slide the unit into framing and replace front studding before proceeding. **(DIAGRAM C)**

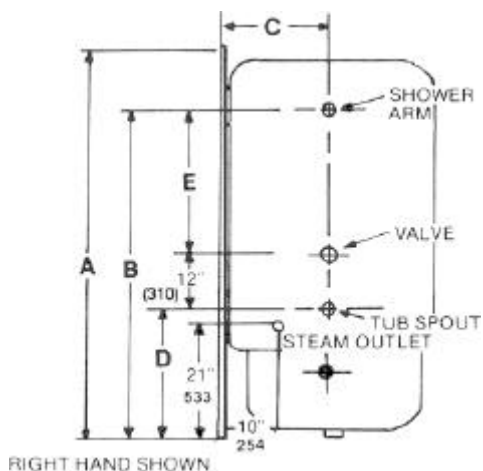
### NOTE:

The whirlpool includes a pump requiring a 110V hook-up. The pump motor should be hooked up after the installation of the whirlpool unit. A licensed electrician should perform all wiring. Whirlpool piping is Factory assembled.

**THE WHIRLPOOL PUMP MUST NOT BE RELOCATED. DO NOT MODIFY THE WHIRLPOOL SYSTEM, AS THIS WILL ADVERSELY AFFECT THE PERFORMANCE AND SAFE OPERATION OF THE WHIRLPOOL. FIAT SHALL NOT BE LIABLE UNDER ITS WARRANTY OR OTHERWISE FOR PERSONAL INJURY OR DAMAGE CAUSED BY ANY SUCH UNAUTHORIZED MODIFICATION.**

## SUGGESTED PLUMBING LOCATIONS

Dimensions may vary plus or minus ¼" (6mm) and are subject to revision.



	A	B	C	D	E
<b>2010</b>	89½" (2273)	76½" (2248)	13" (330)	25" (635)	39½" (1003)
<b>6200</b>	87½" (2223)	80" (2032)	15½" (394)	22" (559)	46" (1168)
<b>360</b>	87½" (2223)	76" (1930)	18" (457)	22" (559)	42" (1067)

Do not support baths by pump or piping when positioning tub. All plumbing and electrical shall be installed in accordance with inspection authorities' requirements.

**ALL INSTALLATIONS SHALL HAVE GROUND FAULT CIRCUIT PROTECTION (SUPPLIED BY OTHERS) WHICH WILL PROVIDE ADDITIONAL PROTECTION AGAINST LINE-TO-GROUND SHOCK HAZARD. A 120V, 20 amp., 60Hz. SEPARATE CIRCUIT IS REQUIRED.**

### STEP 5.

Once unit is in place, level unit vertically and horizontally and shim accordingly. All shims should be placed under the sump support board. Nail or glue shims in place if possible. **(DIAGRAM D)**

### STEP 6.

Once unit is level, fasten both side flanges to the studs with 1½" flathead wood screws using the predrilled flange holes. Sheet metal screws must be used where metal studs have been used. Make final connections for plumbing.

### STEP 7.

Fasten top 2 x 4 brace into place. Finish the front of the unit with drywall, using recommended construction, as shown. **(DIAGRAM E)**

### NOTE:

WATER TESTING FOR ALL PIPING JOINTS AND CONNECTIONS SHOULD BE PERFORMED PRIOR TO COMPLETING INSTALLATION. BEFORE WATER TESTING ANY WHIRLPOOL MODELS, CLEAN UNIT THOROUGHLY OF ALL DIRT AND DEBRIS. **FILL UNIT WITH WATER TO A LEVEL 1½"(38mm) BELOW OVERFLOW BEFORE STARTING WHIRLPOOL PUMP.**

### CAUTION:

NEVER START PUMP UNLESS TUB IS FILLED WITH WATER TO LEVEL DESCRIBED IN NOTE ABOVE.

All tub/shower enclosures are C.S.A. certified under C.S.A. certification number LM 34551.

After installation is complete, use the shipping cover to protect the unit.

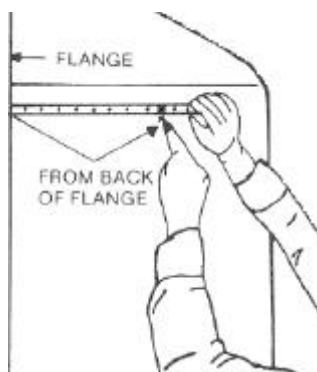


DIAGRAM A

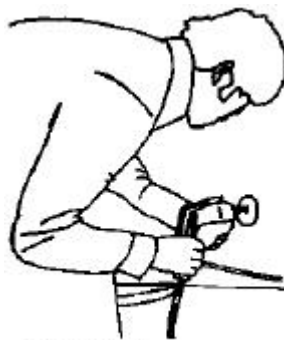


DIAGRAM B

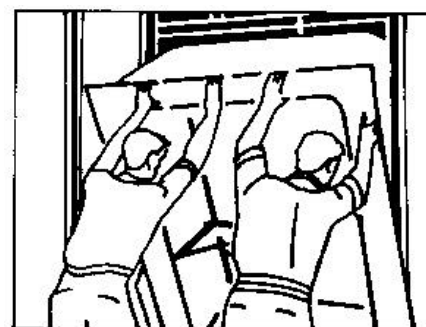


DIAGRAM C

## Cleaning and care of Acrylic bathware

Acrylic bathware is molded of colorfast acrylic to provide a thick, smooth, super strong surface. It is reinforced with fibreglass for years of durable service.

The protective plastic film applied to the unit will leave a film upon the acrylic. To remove this film, use a soft cloth dampened with rubbing alcohol or turpentine and wipe the area clean.

### **NEVER USE ABRASIVE CLEANERS UNDER ANY CIRCUMSTANCES!**

For day to day cleaning, use only liquid or foam cleaners with a soft cloth.

Dull area may be restored or light scratches removed, by rubbing with an automotive rubbing compound, followed by a light application of liquid or automotive car wax. If the unit has been damaged in any way, contact your local distributor for local repair service.

### NOTE:

Whirlpool System must be flushed every 90 days as follows: Fill the bath with hot water only. Add to hot water 2 teaspoons low foaming dishwashing detergent such as Cascade or Calgonite. Run the whirlpool for 10 to 15 minutes. Drain the bath completely. Fill the bath with cold water only. Run the whirlpool for 5 to 10 minutes. Drain bath completely.

WARNING: Soap and water should only be used for the cleaning of the decorative screened glass. Avoid any cleaning agents labelled with a corrosive warning sign.

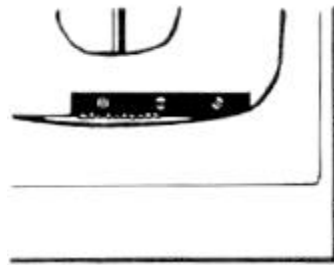
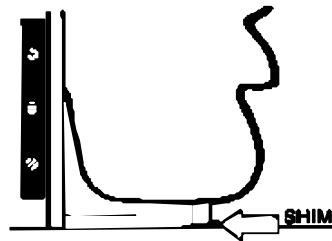


DIAGRAM D

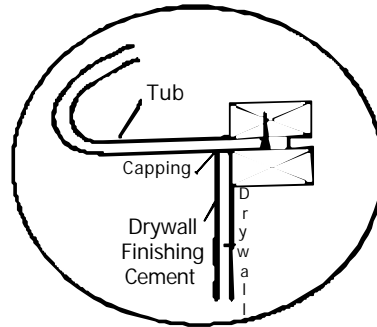
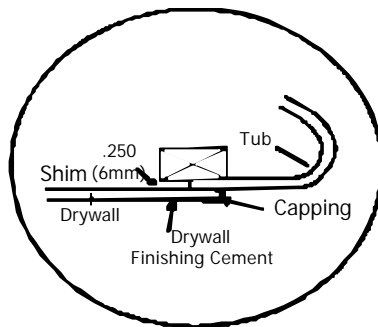


DIAGRAM E

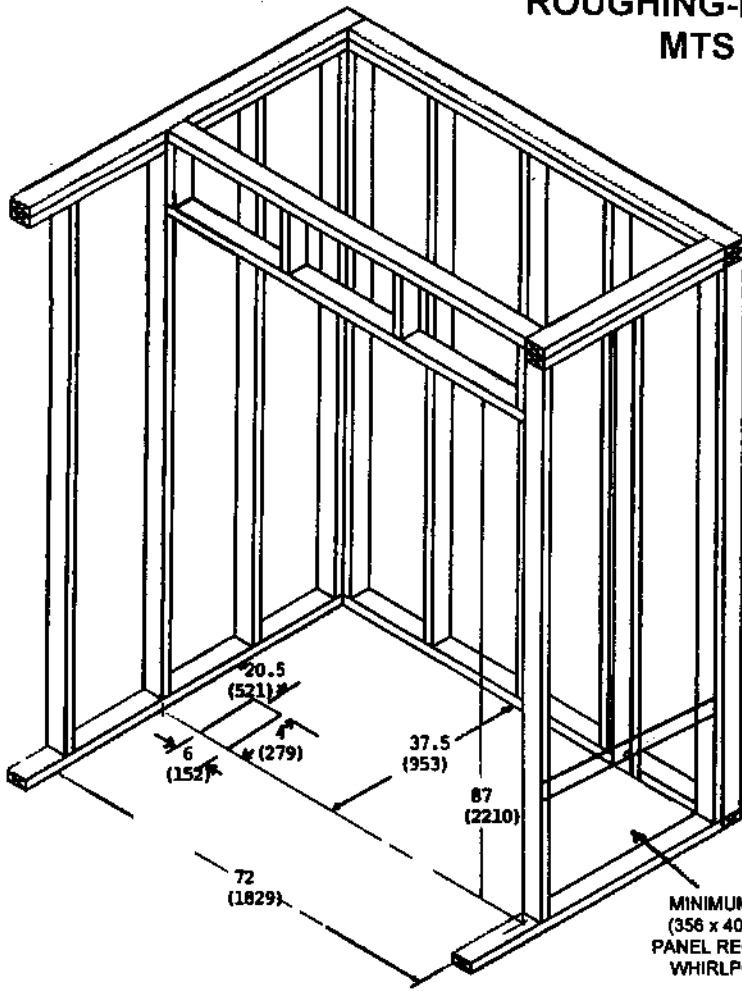
# FIAT

PRODUCTS LTD.

## National Customer Assistance Group

255 Hutchings Street  
Winnipeg, Manitoba R2X 2R4  
Phone: 204-633-6122  
Fax: 204-632-4854

# ROUGHING-IN DETAILS MTS 377



**NOTE:** DIMENSIONS MAY VARY  
+/- 1/4" (6 MM)  
AND ARE SUBJECT TO REVISIONS.

MTS 377    MTS 377-S  
MTS 377-W    MTS 377-SW

