

FIAT[®]



CORNER SHOWER

**INSTALLATION MANUAL
& WARRANTY INFORMATION**



Acrylic Bathware by

FIAT PRODUCTS LTD.

255 HUTCHINGS STREET, WINNIPEG, MANITOBA R2X 2R4 (204) 633-6122

Printed in Canada

ACRYLIC CORNER SHOWER PRE-INSTALLATION PLANNING

MODELS MCS-338, MCS-338-2, MCS-338E

A protective plastic has been applied to the front of the shower stall. It is advised to leave this plastic on during installation to prevent the acrylic from scratching. A protective piece of cardboard, about the size of the floor of the shower stall, should be cut from the cardboard face cover and be placed within the bottom of the unit.

Check and verify all dimensions.

All plumbing and electrical shall be installed in accordance with inspection authorities requirements.

Tools and materials required (other than standard plumbing equipment):

- High speed drill
- Tape measure
- Level
- Hole saws (sized for brass set)
- Shims

ROUGHING - IN DETAILS - ALL MODELS

1. Before framing is started, check level and quality of floor. Make sure sub-floor is sturdy and level.
2. Rough-in 2x4 studs at standard room height to dimensions shown. (Diagram B) Check framed-in area for proper size and ensure studding is straight, square, and plumb.
3. Provide a 4 $\frac{3}{4}$ " (121) diameter hole in the floor to permit clearance for a 2" IPS and drain connection for all units. Locate to dimensions shown on Diagram B.
4. Install plumbing within framing, by using measurements from Diagram A. Measurements are taken from the middle of the new studs that were installed to accommodate the screw flange.
5. Check plumbing for any leaks.
6. **For Steam Units Only**
An access panel must be provided for the steam generator if it is to be placed beside the shower stall. Opening should be sufficient to install, repair or replace the generator. Panel should be minimum 16" x 14" (406 x 356). Plumbing for the steam head must be completed before unit is installed, unless access has been provided. Installation is subject to regulation of the local inspection authorities having jurisdiction.
7. **For Enviro-Suite (MCS-338E)**
Since the unit is pre-plumbed at the factory, the studs may have to be notched to accommodate the piping.

- All statements, technical information, and recommendations contained herein are based on tests we believe to be reliable; but the accuracy or completeness thereof is not guaranteed, and the following is made in lieu of all warranties, expressed or implied.
- Neither seller nor manufacturer shall be liable for any injury, loss or damage, direct or consequential, arising out of the use of or the inability to use the product. Before using, the user shall determine the suitability of the product for the intended use, and user assumes all risk and liability whatsoever in connection therewith. No statement or recommendation contained herein shall have any force or effect, unless it is in an agreement signed by officers of seller or manufacturer.

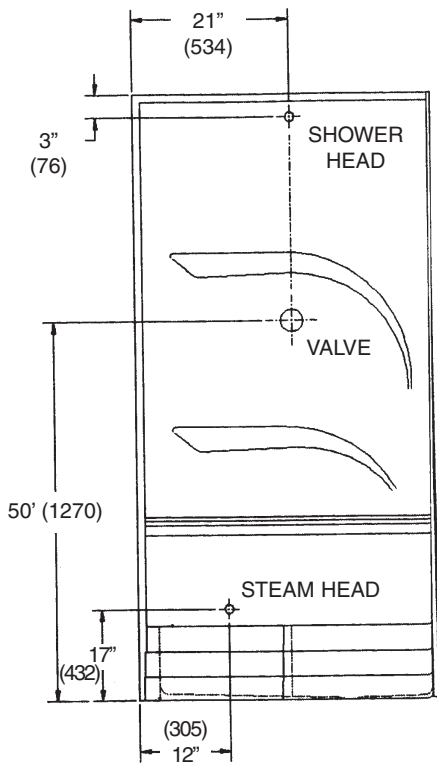


Diagram A

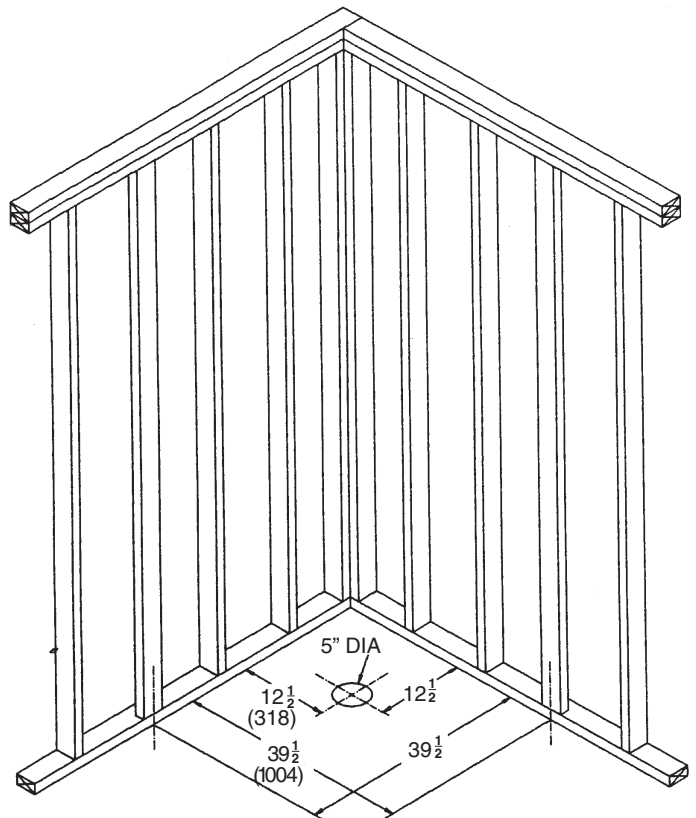


Diagram B

INSTALLATION PROCEDURE - ONE PIECE UNITS

STEP 1

On the fiberglass side of the unit, mark the location for valves and showerhead (and/or steamhead), making sure the measurement is taken from the backside of the screw flange. Drill $\frac{1}{4}$ " pilot holes at locations marked from the outside of the unit.

STEP 2

From the inside of the unit, using proper sized hole saws, cut openings for valves and shower head using pilot hole as a guide. *A 1" hole saw should be used for the steam outlet.

STEP 3

Fasten drain to the shower stall.

STEP 4

Move unit into stud opening. "Make sure drain connection lines up."

STEP 5

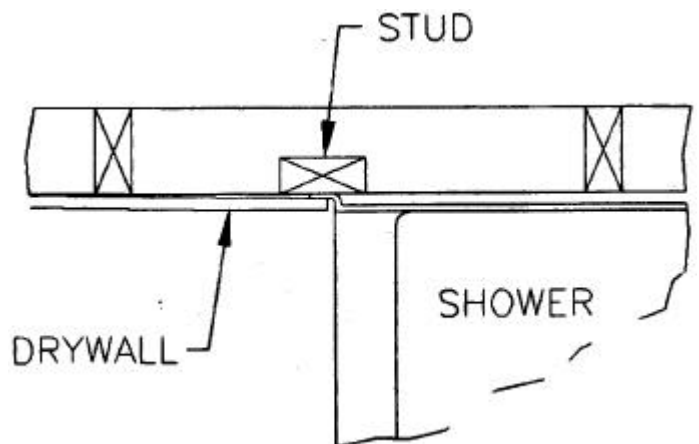
Once unit is in place, level unit vertically and horizontally and shim accordingly. All shims should be placed under the support board. Nail or glue shims in place if possible.

STEP 6

Once unit is level, fasten both side flanges to the studs with drywall screws or Flathead wood screws, using the pre-drilled flange holes. Make final connections for plumbing and caulk around drain.

STEP 7

Finish the front of the unit with drywall, using recommended construction as shown.



INSTALLING THE SECTIONS

RENO-MODEL MCS-338-2

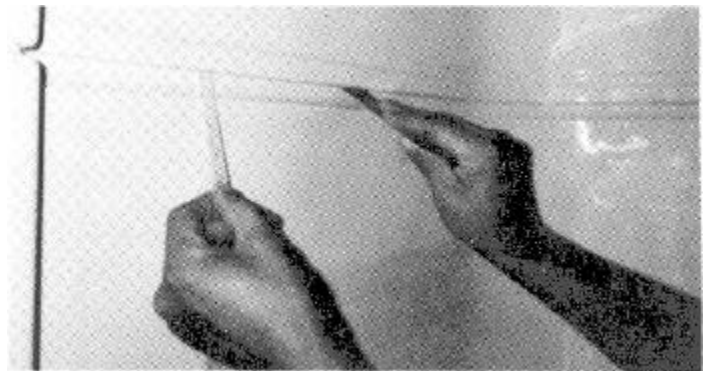
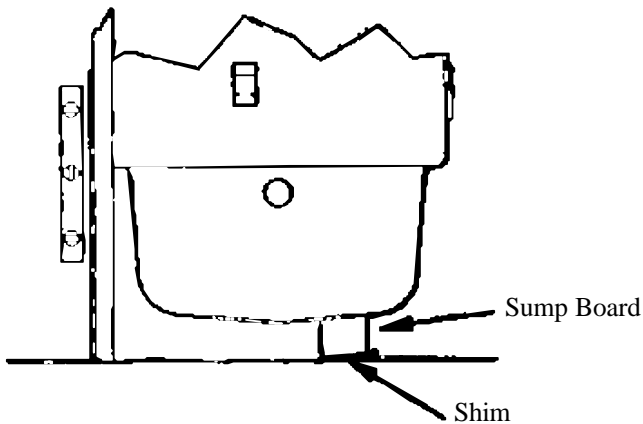
NOTE. If unit is assembled in place, it is recommended to dry fit the sections without the metal clips to assure that plumbing holes line up.

1. Install base section into stud opening by placing the bottom side flanges directly against the front studding and tip section into place, or carefully slide the section into place. **"MAKE SURE DRAIN CONNECTIONS LINE UP."**

Once base section is in place, level unit vertically and horizontally. If it is not level, remove section and add additional shims. All shims must be placed under the sump support board and be nailed or glued in place.

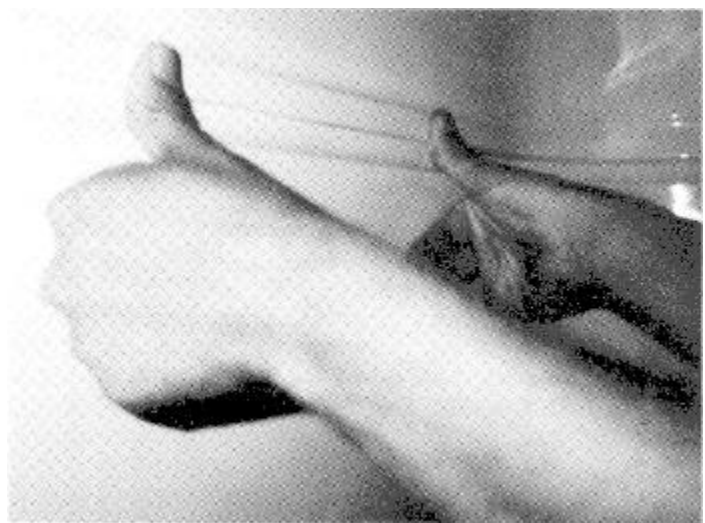


A



B

2. Peel back the release liner on the sealing tape, about 4 in. past the flanges on both sides. (see A)
3. Gently set the top section in place; align the back corner first. You will hear the steel clips snap in position.
4. Using the sheet metal tool provided, pry the joint line apart and gently remove the release liner with a downward pull. Proceed along the joint line doing 6 to 8 in. at a time. (see B)
5. Firmly press the joint line together with your thumbs to promote the curing of the fusion tape. (see C)
6. Finish the front of the unit as shown in Step 7 on page 3.



C

Cleaning and Care of Acrylic Bathware

Acrylic bathware is molded of colorfast acrylic to provide a thick, smooth, super strong surface. It is reinforced with fibreglass for years of durable service.

The protective plastic film applied to the unit will leave a film upon the acrylic. To remove this film, use a soft cloth dampened with rubbing alcohol, mineral spirits or turpentine and wipe the area clean.

NEVER USE ABRASIVE CLEANERS UNDER ANY CIRCUMSTANCES!

For day to day cleaning, use only liquid or foam cleaners with a soft cloth.

Dull areas may be restored or light scratches removed, by rubbing with an automotive rubbing compound, followed by a light application of liquid or automotive car wax. If the unit has been damaged in any way, contact your local distributor for local repair service.

NOTE: Whirlpool System must be flushed every 90 days as follows: Fill the bath with hot water only. Add to hot water 2 teaspoons low foaming dishwashing detergent such as Cascade or Calgonite. Run the whirlpool for 10 to 15 minutes. Drain the bath completely. Fill the bath with cold water only. Run the whirlpool for 5 to 10 minutes. Drain the bath completely.

WARNING: Soap and water should only be used for the cleaning of the decorative screened glass. **AVOID** any cleaning agents labelled with a corrosive warning sign.
