

INSTALLATION INSTRUCTIONS

Pre-Installation Planning

READ INSTRUCTIONS COMPLETELY
BEFORE BEGINNING INSTALLATION.

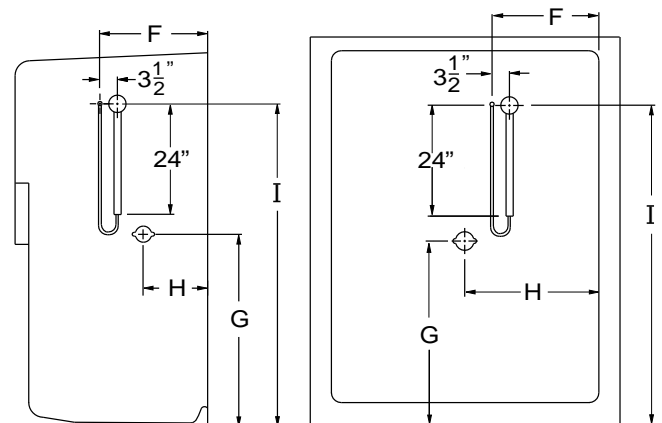
1. Do Not store units out of doors.- Keep out of sunlight and exposure to moisture.
2. Study all job prints, specifications and instructions. Check and verify dimensions on job print, with job conditions, check for level and quality of floor.
3. These units are too big to fit through average openings, Be sure to have units within the installation location before framing is complete. If preferred, studs may be omitted in one wall or installed without nailing to permit unit to be moved into place from either side.
4. With installations where plumbing is adjacent to masonry wall, access to plumbing connections must be provided. It is recommended to build a separate plumbing wall 6" from masonry wall. When rear of unit is against masonry wall, install furring strips on wall.
5. If fire walls are specified, finish fire rated drywall or equivalent should be in place before unit is installed. Fire rated wall or masonry construction needs access through plumbing wall, or connections are to be made from accessible side. Roughing-in dimensions as shown in the Framing Diagrams shall remain the same after installation of the fire rated drywall.
6. Towel bars and grab bars (in addition to those already factory installed) may be attached through the unit and screwed into plywood or sheet metal plates placed directly against the unit. This operation should be done before the unit is set in place.

NOTE: CR/PL, L.L.C. IS NOT RESPONSIBLE FOR FINAL INSTALLATION OF SHOWER MODULES AND COMPONENTS.

THE INSTALLER IS RESPONSIBLE FOR ADHERING TO ALL CODES AND GUIDELINES PERTAINING TO THE SELECTION, INSTALLATION AND PLACEMENT OF SHOWER MODULES AND COMPONENTS.

Installation Procedure

1. Make certain your recessed framed pocket is square and plumb in accordance with framing dimensions. You may use wood or metal 2 x 4 studs minimum. Install 1 x 2 furring strips for mounting unit. (See Figure 3). Some studding may remain loose or be temporarily omitted to permit unit installation into the framing pocket.
2. Provide a cutout in the floor to provide clearance for drain connection. See framing diagram (Figure 3) for cutout sizes. Locate to dimensions shown (D and E) in framing diagrams.
3. Institutional showers may be ordered pre-drilled for valve and hand shower locations when the factory supplies the components. Otherwise review Figure 1 for suggested location of these fittings. Letter indications are shown in dimensions table on Page 3. Institutional units are identified in the table with an asterisk. Non-institutional (residential) units typically have valve and shower head installed on centerline of the shower drain. Mark fitting location on the outside of the unit and drill a pilot hole. From inside the unit, use the proper size hole saw to cut openings for the fittings.



NOTE: 36" SHOWERS MUST HAVE FITTINGS LOCATED ON THE SIDE WALL, OPPOSITE THE SEAT (IF ANY). 60" SHOWERS MAY HAVE THE FITTINGS LOCATED ON THE BACK WALL, OR SIDE WALL.

Figure 1

4. Install drain assembly onto unit according to the manufactures instructions. Apply a bead of silicone caulk, or plumbers putty around the drain opening in unit before installing the fitting.
5. Finish rough plumbing, but leave unstrapped at this stage. Find drain line and trap locations as shown on applicable framing diagram.

6. Institutional showers **MUST** be installed in a bed of wet mortar for support. Mortar is optional for residential units (See Page 4.) Place wet mortar or grout at installation location. Move unit into place. If necessary, shim to proper height for flooring material specified. Position the unit at the open end of the framed pocket. Align the lower edge of the apron in approximate position and tilt into place.

7. Care must be taken when tilting the unit that the drain pipe lines up with the fitting.
NOTE: CARE MUST BE TAKEN NOT TO SUPPORT WEIGHT OF THE UNIT WITH DRAIN PIPE.

8. Plumb and level the unit in two directions: Place a level on top of the apron or dam, and along the finished front of the unit vertically. Check floor of shower to make sure excessive mortar or grout under unit is not causing the floor to flex upward. Remove excessive grout if necessary.

9. Fasten both sides to the stud framing with panhead screws, using the holes provided in the face.

NOTE: WHERE METAL STUDS ARE USED, SHEET METAL SCREWS MUST BE USED. RECOMMEND PRE-DRILLING INTO METAL STUDS.

CAUTION: DO NOT NAIL DIRECTLY INTO FACE. DRILL PILOT HOLES FOR NAILING.

NOTE: IF FLATHEAD SCREWS ARE TO BE USED, THEY MUST BE COUNTERSUNK INTO THE FACE TO PREVENT CRACKING THE UNIT. CR/PL. INC. IS NOT RESPONSIBLE FOR QUALITY OF WORKMANSHIP IN COUNTERSINKING MOUNTING HOLES.

10. Make final connections to supply lines and waste pipe, in accordance with accepted and approved plumbing installation practice.

11. See Figure 2 for wallboard installation and finishing details.

NOTE: Protect floor of the unit with corrugated during caulking and leading operations.

Acrylic plastic is a combustible thermoplastic. Observe fire precautions appropriate for comparable forms of wood. Avoid exposure to heat or aromatic solvents such as benzene.

12. Acrylic unit should be fastened to the framing through the face of the unit. Drill pilot holes through the face if holes are not present. Holes should be located up both sides and across the top near the edge so that finished wall materials will cover the fasteners. Caulk all gaps between the edge of the wallboard and acrylic unit. Caulk seam between flooring and the threshold of the unit.

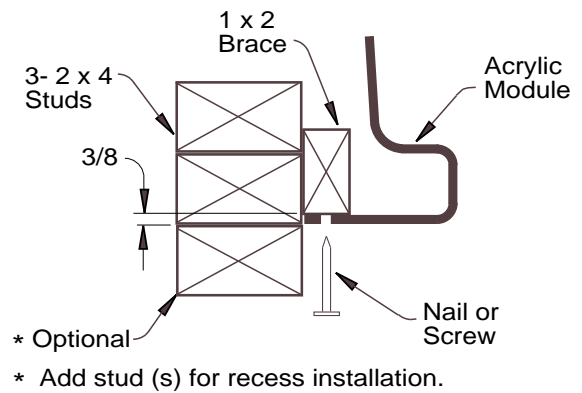


Figure 2
MOUNTING AND FINISHING

Indicated is a typical framing layout for installation of the shower. Refer to dimensional information for the model you are installing to construct the framing to the size required for that unit.

Framing for Shower Modules

Top Mounting Header
 Attach after unit is installed

NOTE:
 Unit Dimensions may vary: 1/2" and are subject to change or cancellation.

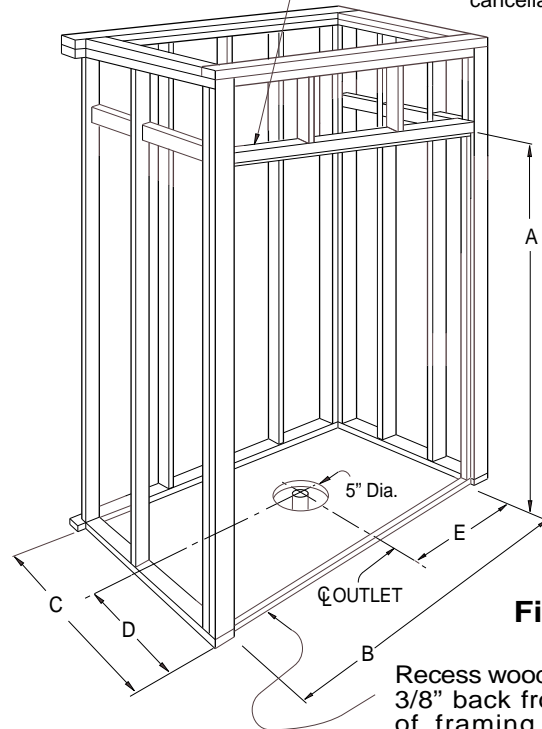


Figure 3

CLEAN UP AND MAINTENANCE

Avoid the use of abrasive or solvent based cleaners for clean up or daily maintenance. Plaster and other foreign materials can be removed by scraping with a sharpened soft wood stick. Do Not use metal scrapers, wire brushes, or other metal tools. One of the powder type detergents, such as Spic and Span, may be used dry on a damp cloth to provide mild abrasive action to remove the residual plaster. More persistent stains, tar or paint can be removed with naphtha or mineral spirits **only**.

Shower Module Dimensions

Model No.	Old No.	A	B	C	D	E	F	G	H	I
A3630.01	MS3300	86-1/2	38-1/2	30-1/4	14-1/2	19-1/4	14-1/2	44-3/4	14-1/2	72
A3630.02 *	MS3300-3	86-1/2	38-1/2	30-1/4	14-1/2	19-1/4	14-1/2	44-3/4	14-1/2	72
A3633.01	MS3600	86-1/2	38-1/2	33-1/4	16-1/2	19-1/4	16-1/2	44-3/4	16-1/2	72
A3633.02 *	MS3600-3	86-1/2	38-1/2	33-1/4	16-1/2	19-1/4	16-1/2	44-3/4	16-1/2	72
A3636.03 *	ADA3636-New threshold	84-1/2	44-1/2	39-1/2	18	22-1/4	21-3/4	44-3/4	13	72
A3838.01	MCS338	82-1/2	39-1/4	40-1/4	12-1/2	12-1/2	12-1/2	44-3/4	12-1/2	72
A3838.02 *	MCS338-2	82-1/2	39-1/4	40-1/4	12-1/2	19-5/8	12-1/2	44-3/4	12-1/2	72
A3934.01 *	MSI320	85	39-1/4	33-3/4	17	19-5/8	21-3/4	44-3/4	15	74
A4234.03 *	MSH311-New depth,threshold	85	43-1/4	33-3/4	16-1/4	21-5/8	21-3/4	44-3/4	13	74
A4234.04 *	MSH311-New depth,threshold	85	43-1/4	33-3/4	16-1/4	21-5/8	21-3/4	44-3/4	13	74
A4238.03 *	MSI321	85	43-1/4	37-3/4	18-1/4	21-5/8	21-3/4	44-3/4	13	74
A4238.04 *	MSI324-New seat	85	43-1/4	37-3/4	18-1/4	21-5/8	21-3/4	44-3/4	13	74
A4242.02 *	MSCI308	85	44	35-1/4	13-1/2	22	16-1/2	44-3/4	14-1/2	74
A4834.02	MS348C	88-1/2	50-1/2	34-1/4	16	25-1/4	15	50	16	77
A4834.03	MS348C-3	88-1/2	50-1/2	34-1/4	16	25-1/4	15	50	16	77
A4834.07 *	New	85	49-1/4	33-3/4	16-1/4	24-5/8	21-3/4	44-3/4	13	74
A4834.08 *	New	85	49-1/4	33-3/4	16-1/4	24-5/8	21-3/4	44-3/4	13	74
A4838.03 *	MSI324	85	49-1/4	37-3/4	18-1/4	24-5/8	21-3/4	44-3/4	13	74
A4838.04 *	MSI324-New seat	85	49-1/4	37-3/4	18-1/4	24-5/8	21-3/4	44-3/4	13	74
A4844.03 *	MSI325	85	49-1/4	43-3/4	21	24-5/8	21-3/4	44-3/4	13	76
A4844.04 *	MSI325-New seat	85	49-1/4	43-3/4	21	24-5/8	21-3/4	44-3/4	13	76
A4850.03 *	MSI326	85	49-1/4	49-3/4	24	24-5/8	21-3/4	44-3/4	13	76
A5450.03 *	MSI349	85	55-1/4	49-3/4	24-1/2	27-5/8	21-3/4	44-3/4	13	76
A5450.04 *	MSI349-New seat	85	55-1/4	49-3/4	24-1/2	27-5/8	21-3/4	44-3/4	13	76
A6030.03 *	ADA6030-New threshold	84-1/2	69-1/4	33-1/2	18	34-5/8	21-1/2	43	27	72
A6030.04 *	ADA6030-New threshold,seat	84-1/2	69-1/4	33-1/2	18	34-5/8	21-1/2	43	27	72
A6034.03 *	MSH317-New 32" depth	85	61-1/4	33-3/4	16-1/4	30-5/8	21-3/4	44-3/4	13	74
A6034.04 *	MSH317-New 32" depth	85	61-1/4	33-3/4	16-1/4	30-5/8	21-3/4	44-3/4	13	74
A6034.05	MS305	88-1/2	62-1/2	34-1/4	17	31-1/4	17	44-3/4	17	76
A6034.06	MS305-3	88-1/2	62-1/2	34-1/4	17	31-1/4	17	44-3/4	17	76
A6034.07	MS306	89	62-1/2	34-1/4	17	31-1/4	17	44-3/4	17	76
A6036.03 *	ADA6036-New threshold	84-1/2	69-1/4	36-3/4	18	34-5/8	21-1/2	43	27	72
A6036.04 *	ADA6036-New threshold,seat	84-1/2	69-1/4	36-3/4	18	34-5/8	21-1/2	43	27	72
A6038.03 *	MSI327G	85	61-1/4	38-1/4	18-1/4	30-5/8	21-3/4	44-3/4	13	74
A6038.04 *	MSI327-New seat	85	61-1/4	37-3/4	18-1/4	30-5/8	21-3/4	44-3/4	13	74

* INDICATES SHOWER MUST BE INSTALLED IN A BED OF MORTAR. (BED OF MORTAR OPTIONAL FOR RESIDENTIAL ONE PIECE UNITS.)

CR/PL 1235 Hartrey Avenue Evanston, IL. 60202

Installation Questions:1-800-955-0218

LIMITED WARRANTY

CR/PL warrants its plumbing products against defects in material and workmanship for the following periods following installation:

Three Years: Acrylic Bathing Fixtures (but not the fixtures thereto).

CR/PL, at its discretion, will repair, replace, or make an appropriate adjustment when an inspection by a manufacturer representative reveals that such defects have occurred under normal usage within the warranty period. The party making the warranty claim will provide evidence of either date of purchase or installation at the time of inspection. CR/PL shall be responsible for no other damages or liability whatsoever, consequential or otherwise, nor for labor, transportation or other expenses.

Since local code requirements vary greatly throughout the country, distributors, dealers, installation contractors and users of plumbing products should determine whether there are any code restrictions on the use of a specific product. CR/PL makes no representation or warranty regarding, and shall not be responsible for, any code compliance.

THIS WARRANTY, AND THE EXPRESSED REMEDIES THEREUNDER, IS THE ONLY WARRANTY MADE WITH RESPECT TO THE PRODUCTS SOLD BY CR/PL, AND CR/PL MAKES NO OTHER WARRANTY, EXPRESSED OR IMPLIED WITH RESPECT TO SUCH PRODUCTS, INCLUDING (WITHOUT LIMITATION) WARRANTIES OF MERCHANTABILITY AND WARRANTIES OF FITNESS OR SUITABILITY FOR ANY PARTICULAR PURPOSE.

Some states do not allow limitations on how long an implied warranty lasts, or the exclusion or limitation of incidental or consequential damages, so this limitation and exclusion may not apply to you. This warranty gives you specific legal rights. You may also have other rights which vary from state to state.