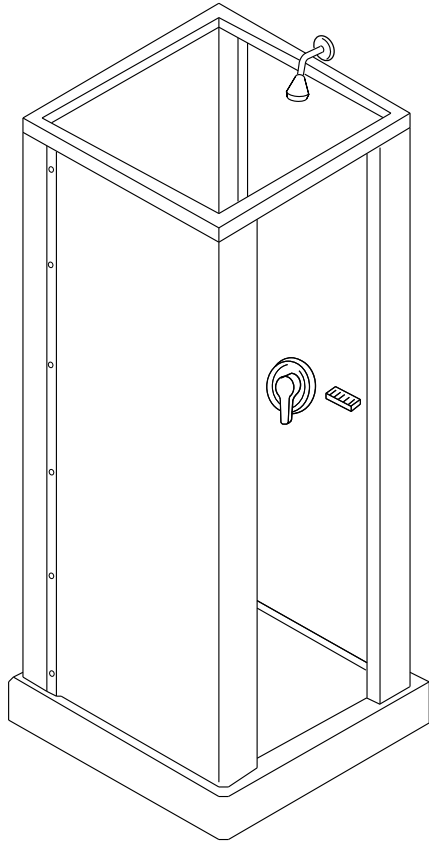
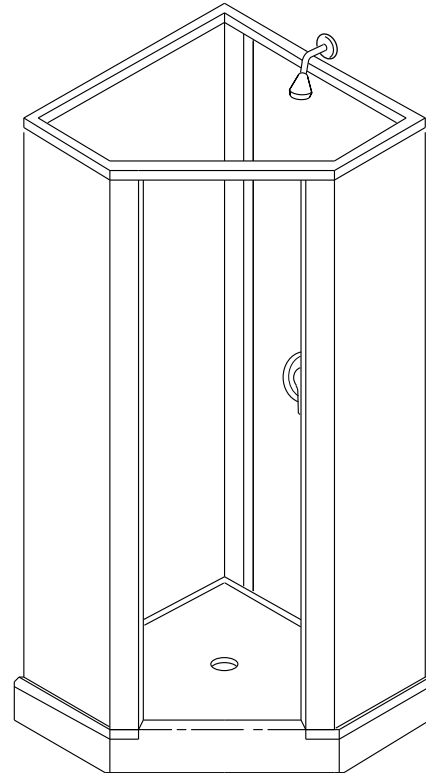
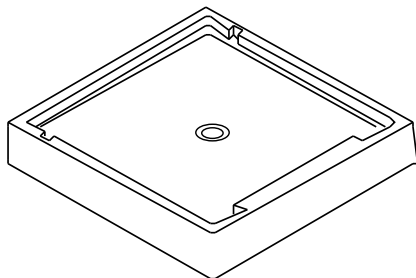


- **Square Type Model Number 47**
- **Corner Type Model Number 48**



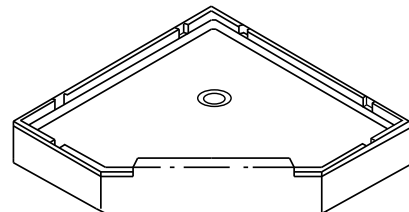
**Model Number 47  
Square Shower**

32 x 32 x 81-3/8  
36 x 36 x 81-3/8



**Model Number 48  
Corner Shower**

36 x 36 x 81-3/8



**Figure 1**

**Follow instructions sent with shower floor to properly install the floor.**

This installation manual provides directions for installing the wall surround panels onto the shower floor. Read this manual completely before beginning panel installation.

# Shower Cabinet Installation

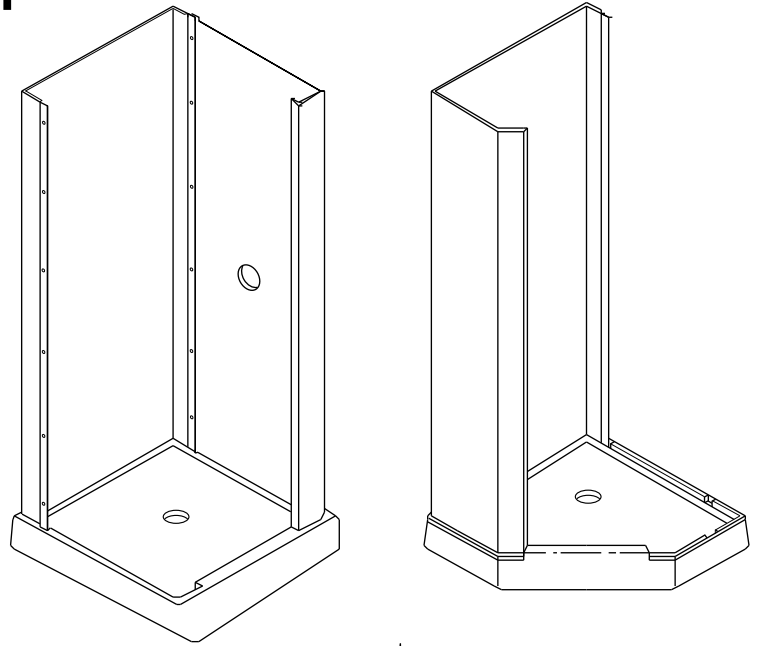
**NOTE:** Shower Faucet is reversible.

All directions apply to both the Model 47 (square) and Model 48 (corner).

## Step 1

Position side and back panels on shower floor, join panels together with #10 x 5/16" sheet metal screws and retainer strip. If necessary, use a clamp to hold panels in place temporarily.

Install screws and retainer as shown in Figure 2



## Step 2

Erect plain panel in the same manner.

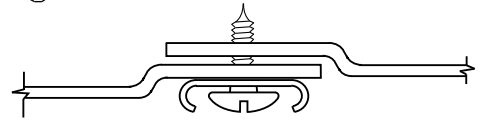


Figure 2

## Step 3

Use #10 x 1/2" Drill Screws to attach the wall panels to the shower floor.

## Step 4

Insert Cover Moldings starting at the bottom. (See Figure 3).

Use a padded wood block with a hammer to set the Cover Molding.

**Exercise Care!**

Do not force or bend moldings.

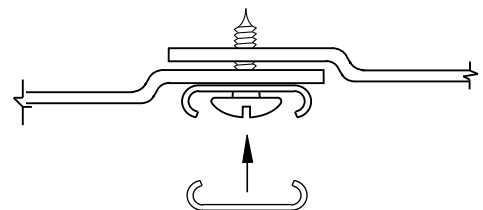
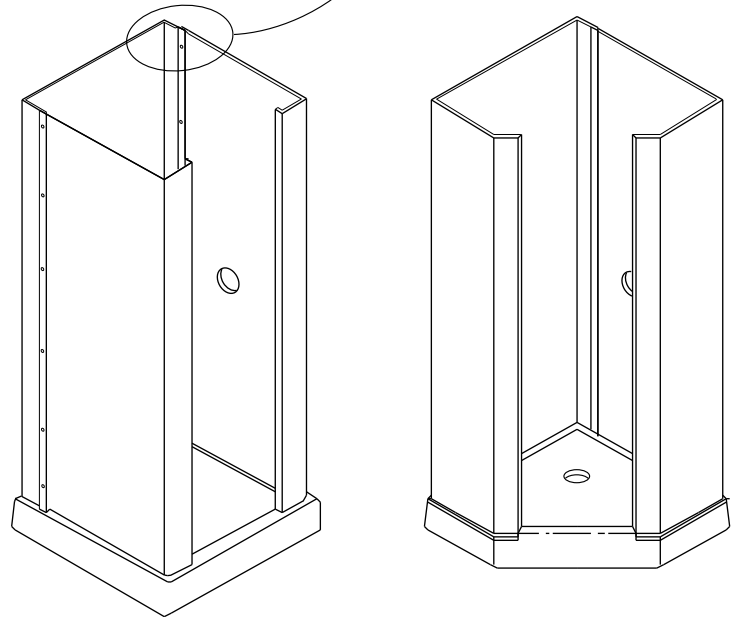
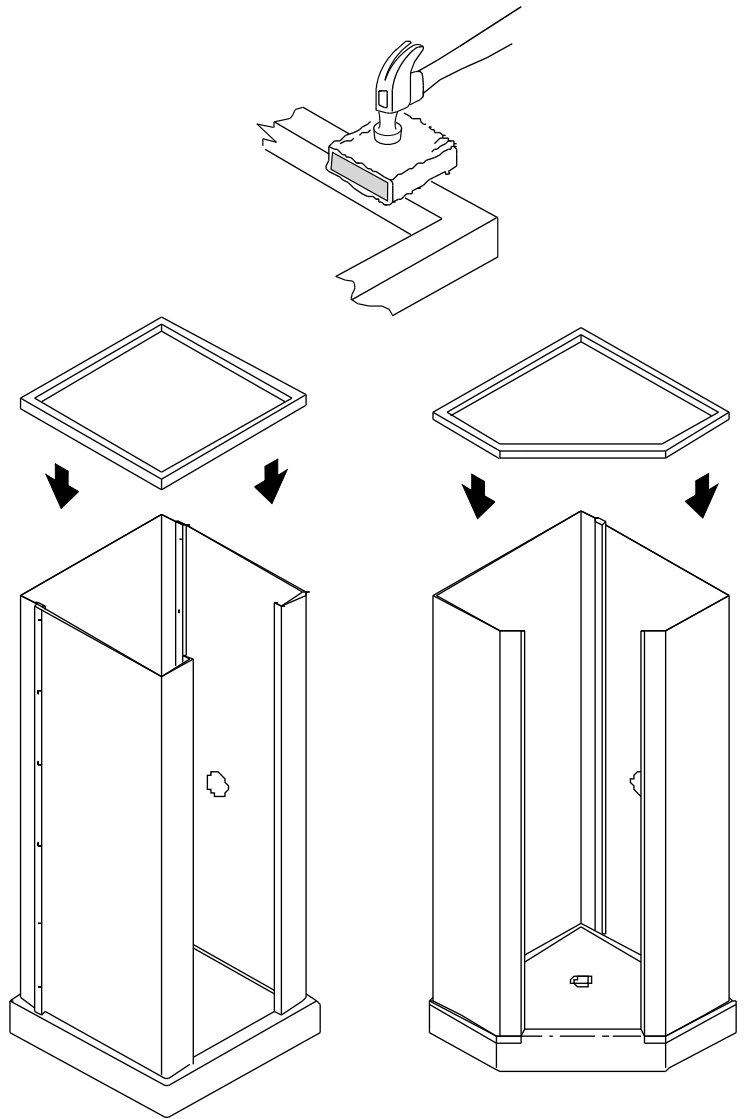


Figure 3

## Step 5

Engage Top Frame beginning at back.  
Drive Top Frame down onto wall panels.  
Use a padded wood block with hammer  
if necessary.

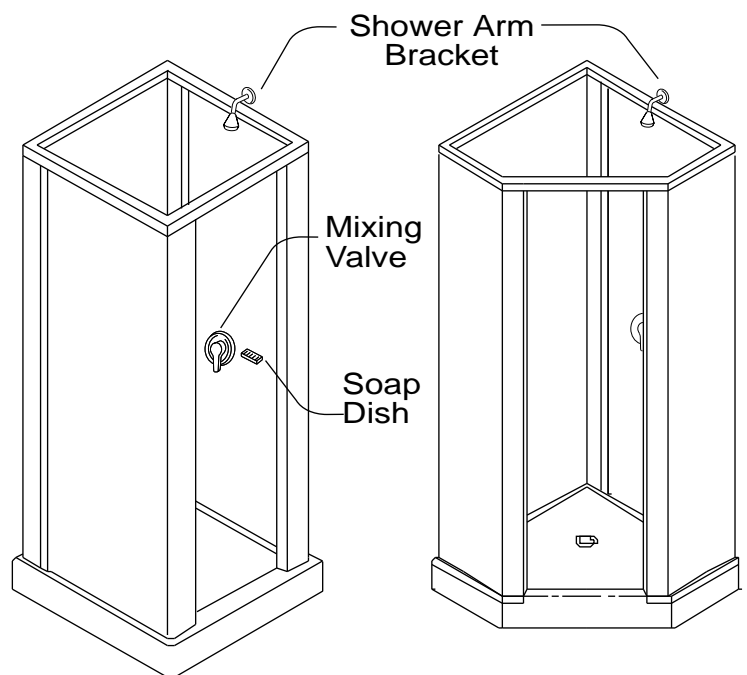


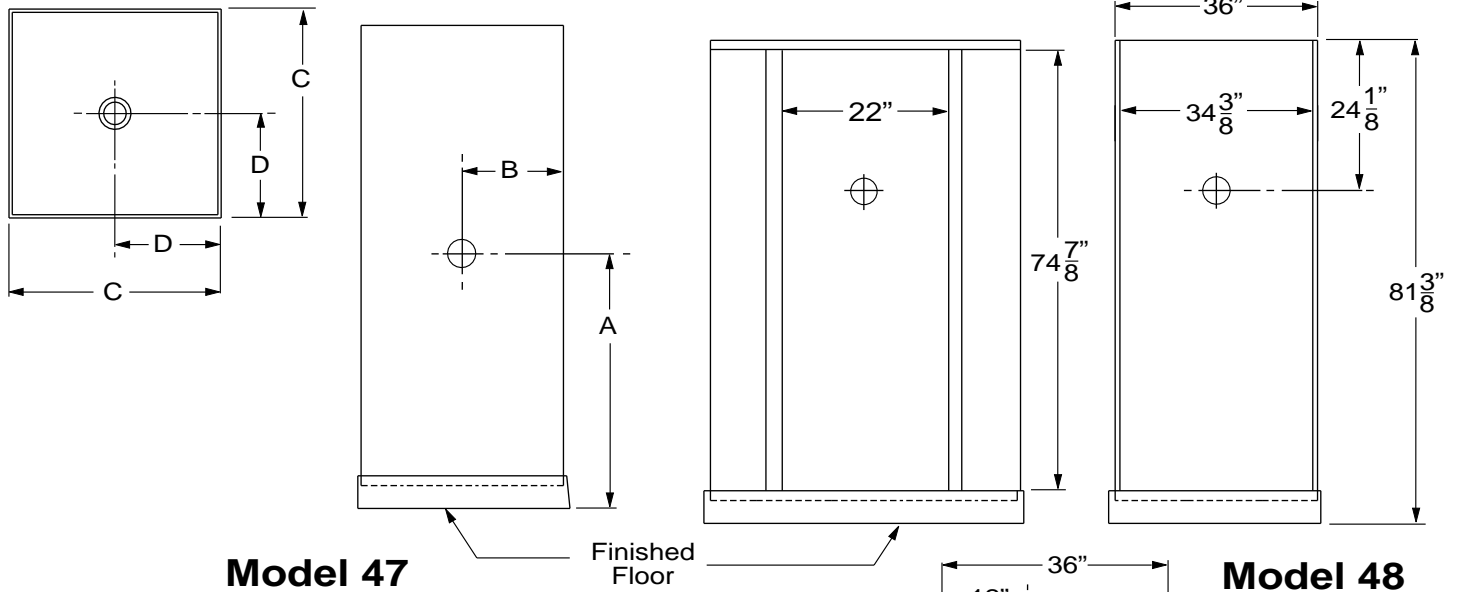
## Step 6

Attach Mixing Valve and Shower Arm  
Bracket and connect water supplies.

Attach Soap Dish with #10 x 3/4" screws.

Hang Shower Curtain.

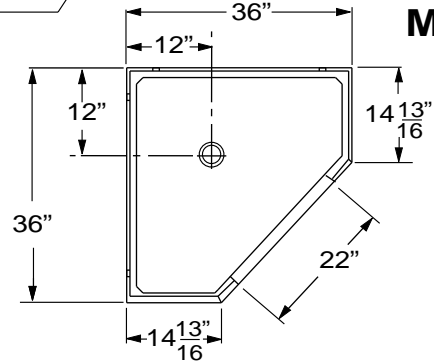




**Model 47**

**Model 48**

MODEL		A	B	C	D
#47	32" X 32" X 81-3/8" Square	42- 3/8"	15 -5/8"	32"	16"
#47	36" X 36" X 81-3/8" Square	42- 3/8"	17-1/4"	36"	18"



<b>Packing List Model #47</b>	
Qty.	Description
16	Screw Caps
1	Back Panel
1	Side Panel
1	Side Panel (Plain)
1	Terrazzo Shower Floor (As Specified)
1	Shower Arm Bracket
13	#10 x 5/16" Sheet Metal Screws
14	#10 x 1/2" Drilling Screws
1	Mixing Valve (As Specified)
3	#10 x 3/4" Sheet Metal Screws
1	Soap Dish
1	Top Frame
2	Cover Strips
2	Retaining Strips

<b>Packing List Model # 48</b>	
Qty.	Description
22	Screw Caps
1	Back Panel
1	Side Panel
2	Front Panel
1	Terrazzo Shower Floor (As Specified)
1	Shower Arm Bracket
19	#10 x 5/16" Sheet Metal Screws
14	#10 x 1/2" Drilling Screws
1	Mixing Valve (As Specified)
3	#10 x 3/4" Sheet Metal Screws
1	Soap Dish
1	Top Frame
3	Cover Strips
3	Retaining Strips



255 Hutchings St. Winnipeg, MB. R2X 2R4

Rev: 9/03. Form No: 2029

<b>Optional Equipment</b>	
833-AA	Compound Caulking Sealant