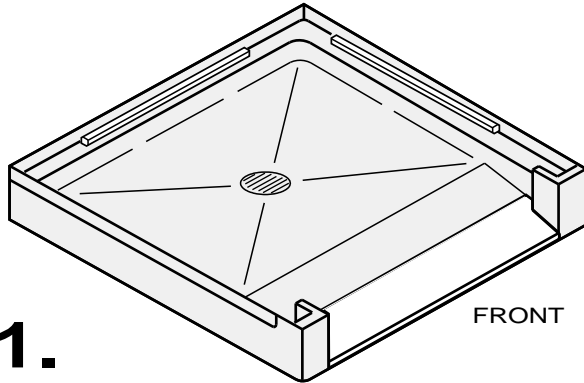


# ASSEMBLY INSTRUCTIONS COMMANDER SHOWER CABINET

## MODELS S-115 S-125



**1.**

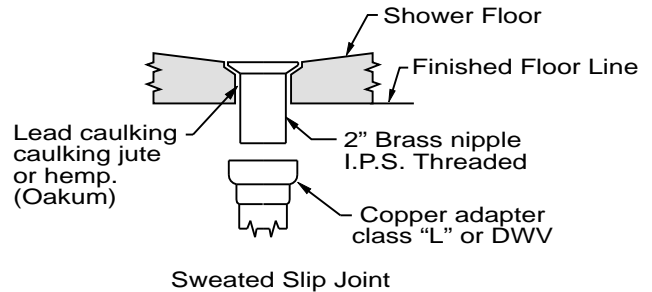
Be sure shower floor is set level to ensure proper drainage.

Cover floor to protect it from dirt and damage.

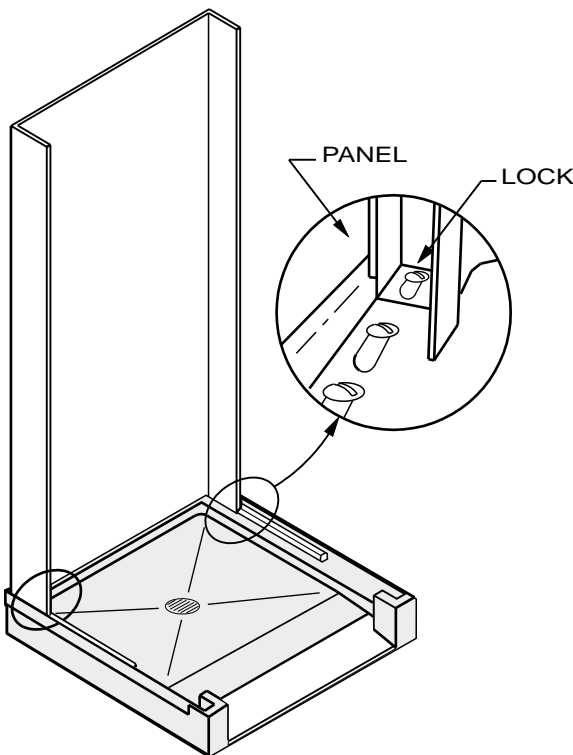
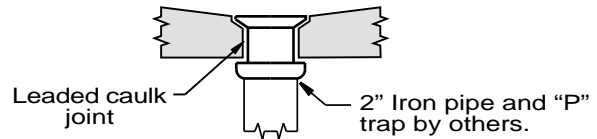
Floor drain to be connected to a 2" iron pipe and "P" trap (furnished by others) with lead caulk joint

NOTE: See alternate drain connection..

Alternate Drain Connection  
Where Copper Tub Plumbing System Is Used



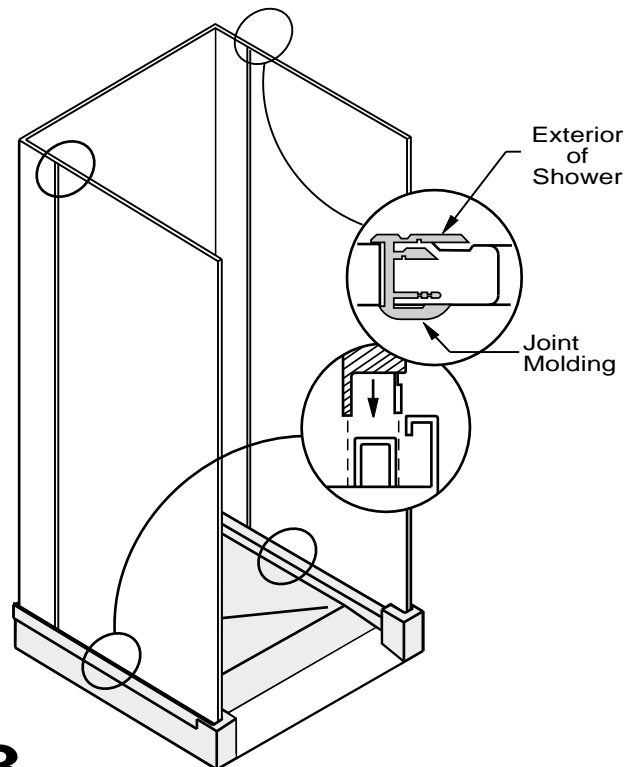
Section Through The Drain Connection



**2.**

Position back panel as shown. Panel is locked in place at both sides by sliding panel lock into slot provided on molding.

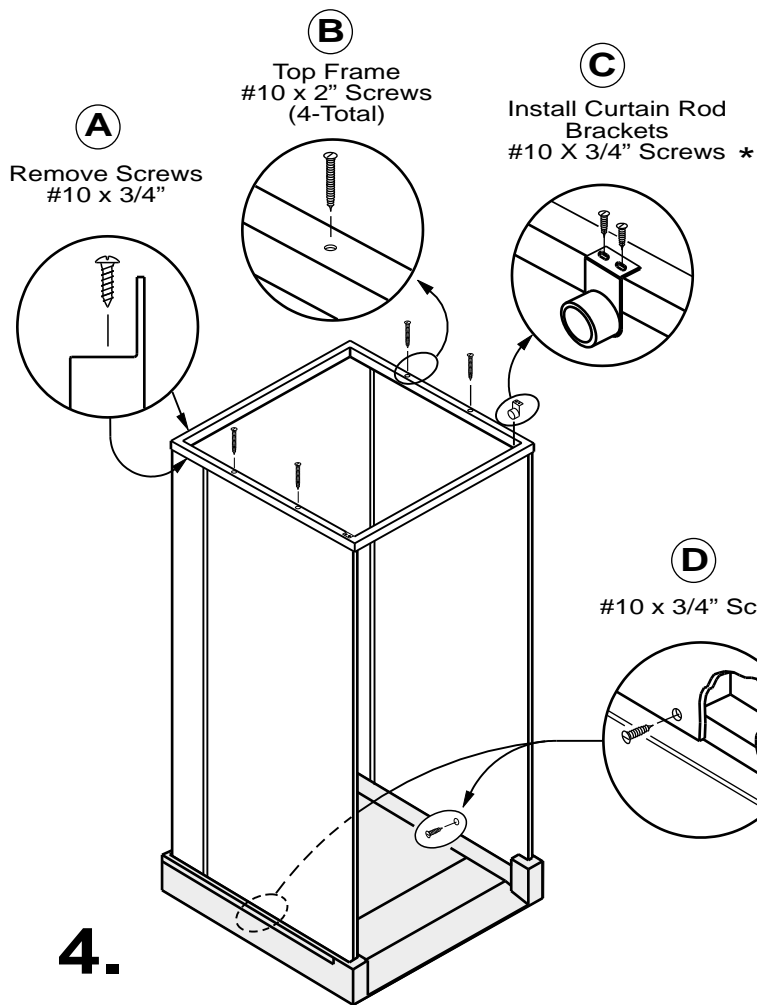
Tighten screws on each side.



**3.**

Install left and right side panels as shown above.

Tilt and insert stile of panel into joint molding.



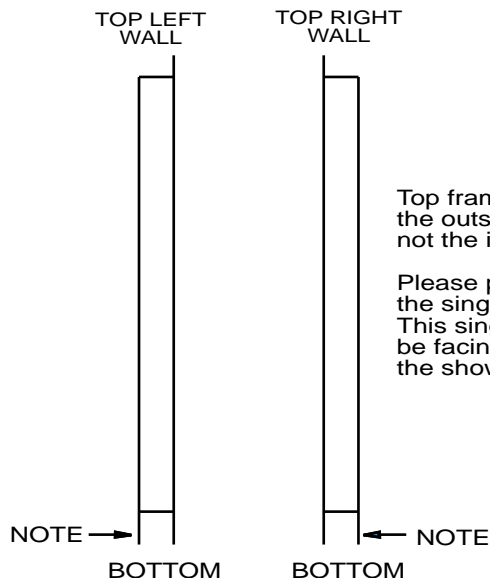
4.

From inside of shower, remove all #10 x 3/4" screws from top edge of panels. (See Detail "A").

Position top frame. Fasten with #10 x 2" screws. (See Detail "B").

Fasten curtain rod with brackets. (See Detail "C") using screws removed from top as indicated in Detail "A".

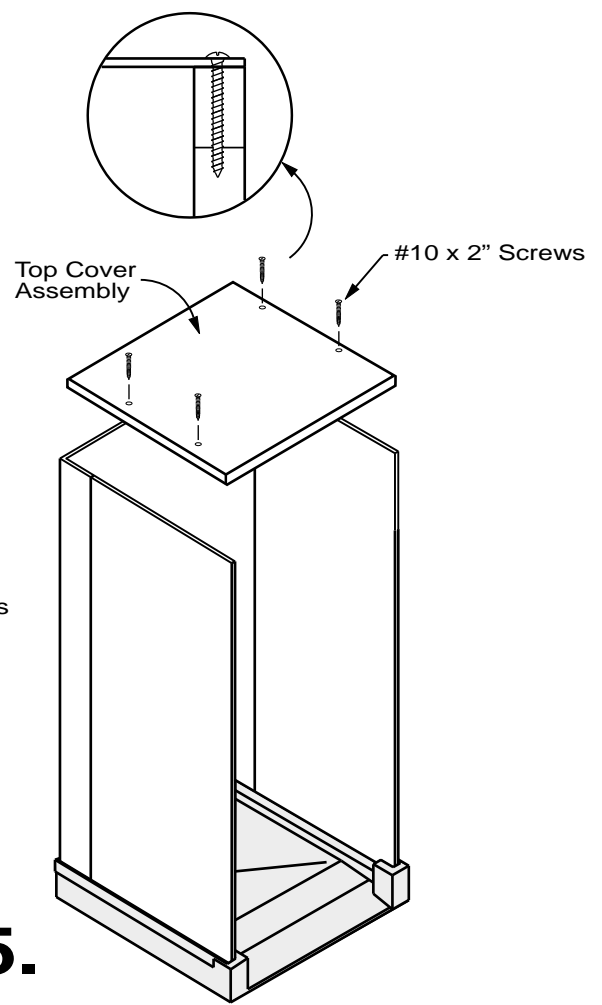
Secure stiles to floor flange with #10 x 1-1/2" screws. (See Detail "D").



Top frame is exposed to the outside of the stall, not the inside.

Please pay attention to the single upper flange. This single flange must be facing the inside of the shower stall.

Note: On bottom outside flanges, you will find two holes. These holes are used in the factory to hang the walls while they are being painted. They have no other purpose.



5.

Optional Top Cover Assembly  
Follow procedure as in step #4, Detail "B"  
Remove and use #10 x 2" screws which hold down top frame.

### PACKING LIST

Qty.	Description
1	Shower Floor
1	Back Wall Panel
1	Left Wall Panel
1	Right Wall Panel
1	Top Frame
1	Curtain Rod
2	Curtain Rod Brackets
1	Curtain With Hooks
1	Assembly Instructions
1	Soap Dish
4	#10 x 2" S.S. Screws
2	#10 x 1-1/2" S.S. Screws
1	Bottle of touch up paint

\* Use the same #10 x 3/4" screws removed from panels.

**FIAT**<sup>®</sup>  
PRODUCTS LTD.  
CR/PL LLC<sup>®</sup>