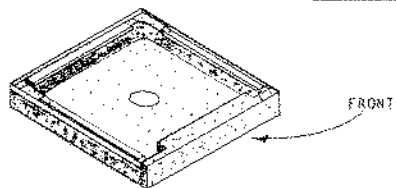
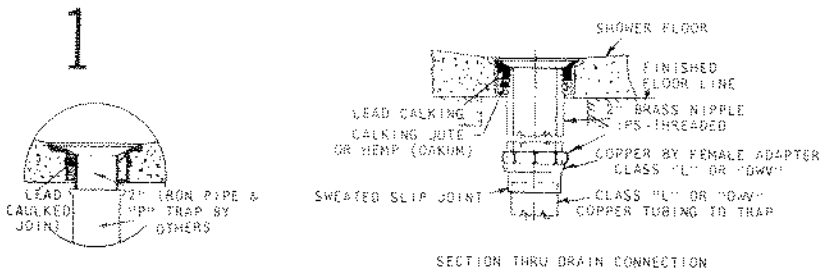
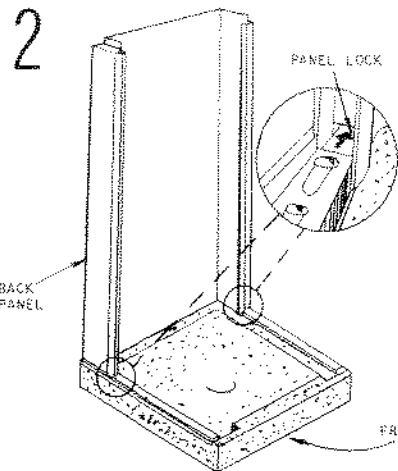


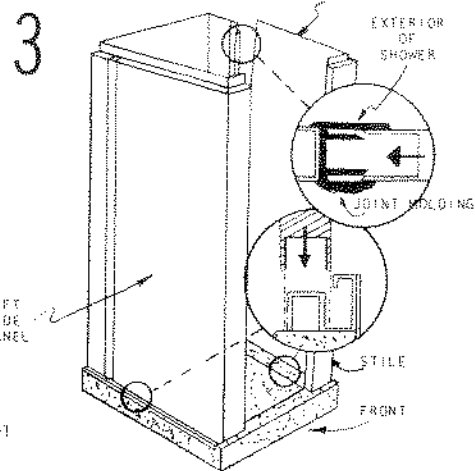
ALTERNATE DRAIN PIPE CONNECTION  
WHERE COPPER TUBE PLUMBING SYSTEM IS USED



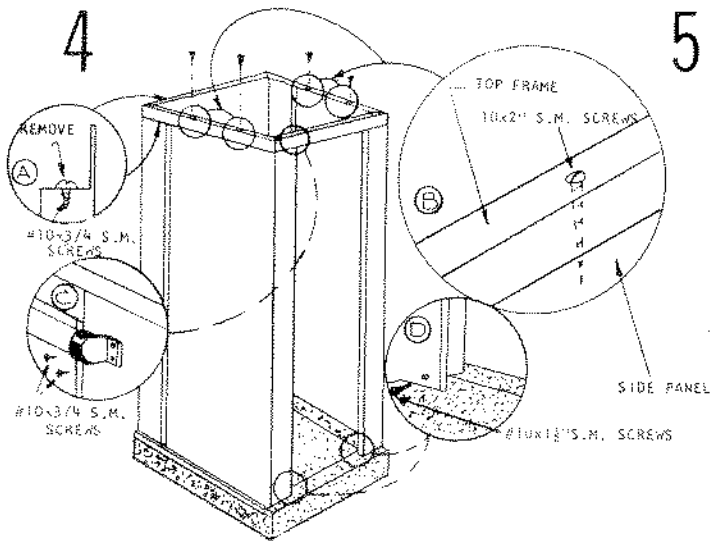
BE SURE SHOWER FLOOR IS SET LEVEL TO INSURE PROPER DRAINAGE.  
COVER SHOWER FLOOR TO PROTECT IT FROM DIRT AND DAMAGE.  
FLOOR DRAIN TO BE CONNECTED TO A 2" IRON PIPE AND "P" TRAP (FURNISHED BY OTHERS) WITH LEAD CAULK JOINT.  
NOTE: SEE ALTERNATE DRAIN PIPE CONNECTION ABOVE.



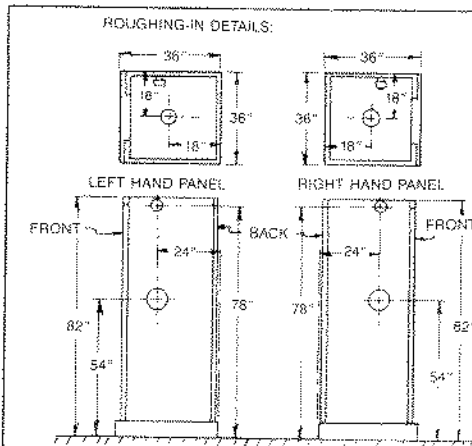
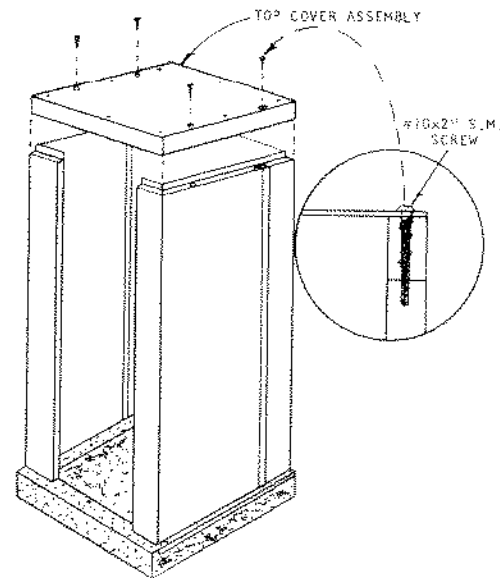
POSITION BACK PANEL AS SHOWN. PANEL IS LOCKED IN PLACE AT BOTH SIDES BY SLIDING PANEL LOCK INTO SLOT PROVIDED ON MOLDING. TIGHTEN SCREWS ON EACH SIDE.



INSTALL LEFT AND RIGHT SIDE PANELS AS SHOWN ABOVE. TILT AND INSERT STILE OF PANEL INTO FRONT OF RECEPTOR AND SLIP INTO JOINT HOLDING.



FROM INSIDE OF SHOWER, REMOVE ALL #10x3/4" S.M. SCREWS FROM TOP EDGE OF PANELS. SEE DETAIL "A".  
POSITION TOP FRAME. FASTEN WITH #10x2" S.M. SCREWS. (SEE DETAIL "B")  
FASTEN CURTAIN ROD WITH BRACKETS (SEE DETAIL "C") USING SCREWS REMOVED FROM TOP AS INDICATED IN DETAIL "A".  
SECURE STILES TO FLOOR FLANGE WITH #10x1" S.M. SCREWS. SEE DETAIL "D".



NOTE: LOCATION OF DRILLING SHOWN IS FOR TYPICAL MIXING VALVE. SEE SPECIAL ROUGHING-IN SHEET FOR OTHER VALVES. ALL VALVES AND HEADS OPTIONAL.

- PACKING LIST:
- (1)-SHOWER FLOOR
  - (1)-BACK PANEL
  - (1)-LEFT HAND PANEL
  - (1)-RIGHT HAND PANEL
  - (1)-TOP FRAME
  - (1)-CURTAIN ROD
  - (2)-CURTAIN ROD BRACKETS
  - (2)-CURTAIN WITH HOOKS
  - (1)-ASSEMBLY INSTRUCTIONS (DRAWING 681-CC)
  - (1)-SOAP DISH
  - (4)-#10 x 2" S.M. SCREWS
  - (2)-#10 x 1/2" S.M. SCREWS

USE THE SAME #10x3/4" S.M. SCREWS REMOVED FROM PANELS. REFER TO STEP NO. 4 DETAIL "A"

681-CC

1

PART DWG

USED ON

FIAT PRODUCTS S-810

ASSEMBLY INSTRUCTIONS

MANAGER

DESIGN NO. 5-86-1

DRAWN BY P.C. 292 PART NO. 5-86-1

DRAWING NO. 681-CC