



INSTALLATION INSTRUCTIONS NEO-ANGLE D-38 SHOWER DOOR

PACKING LIST

- 2 - Side lite glass panels with vinyl gasket
- 1 - Centre door panel with hinge channel
- 1 - Door jamb with magnetic strip
- 1 - Header bar
- 1 - Splash shield
- 2 - Towel bars
- 1 - Threshold sill
- 1 - Hardware kit
- 3 - Top rail channels with angle brackets
- 2 - Wall channels
- 2 - Bottom channels

NOTES:

1. Open carton carefully, remove panels, and check contents of hardware package against packing list.
** SEE Fig 1 FOR PARTS IDENTIFICATION **
2. Read instructions through before proceeding with installation.
3. Door is designed for either left or right hinged installation. It is recommended that the hinge be located on the side of the door opposite the shower spout.
4. Cut a portion of the packaging carton to the shape of the shower floor and place into unit to protect the acrylic surface during installation.
5. Threshold of unit has factory installed clear protective tape. Do not remove until completion of installation.

Fiat Products Ltd. warrants all its product to be free from manufacturing defects including workmanship and materials, and will at its option repair or replace any defective product upon prompt notification to the company, and examination by a representative of Fiat Products Ltd. This warranty will not apply to any product which has been altered in any way without prior written approval of a senior officer of Fiat Products Ltd. and does not apply to damage caused by abuse or misuse or improper installation and all consequential damage.

Fiat Products shall not be liable for any injury, loss or damage, direct or consequential arising out of the use or the inability to use the Product. Before using, the user shall determine the suitability of the product for the intended use and user assumes all risk and liability whatsoever in connection therewith.

This warranty is in lieu of all others expressed or implied and may not be extended by representatives, written sales information or drawings. While we recommend uses for products based on technical information and tests we believe to be reliable, the accuracy and completeness thereof is not guaranteed. Fiat Products, in no way guarantees particular methods of use or application or performance under special conditions.

1. **INSTALLING WALL/GLASS CHANNELS**
 NOTE: If wall/glass channels have been factory installed, proceed to step 2.

Wall channels have pre-drilled holes for attaching to your corner shower. Install wall channels first, using $\frac{1}{2}$ " set back (see fig. 2). Mark holes, drill $\frac{9}{64}$ " holes and mount with #8x1" panhead phillips screws. Position bottom channels by overlapping to inside of wall channels and set back $\frac{9}{16}$ " (see fig. 2). Mark holes, drill $\frac{9}{64}$ " and mount with #8x1" screws.

2. **INSTALLING SIDE GLASS PANELS**

Place one end of the glass panel in the bottom corner of the U-channel. Apply soapy water to the vinyl gasket around the edges of the glass panel. Gently tilt the panel into position inside the U-channel. Place a wood block on the edge of the panel and tap it in with a rubber mallet. (figure 2) Repeat for other side.

NOTE: Thick vinyl must be on door side of glass panel. (figure 2)

3. **INSTALLING CORNER POSTS**

Corner posts are marked RIGHT & LEFT. (when facing unit) Place corner post over thick vinyl and tap it on as shown in figure 2. DO NOT TAP CORNER POST DIRECTLY: USE WOOD PIECE.

4. **INSTALLING TOP RAIL**

Top rail is supplied partly assembled and marked L/R. Complete assembly as shown in figure 3. Note overlap of channels. Place top rail onto side glass panels and gently tap down into position. Top rail channels must rest on top edges of wall channels and corner posts.

Secure top rail to wall channels with #6 x $\frac{3}{8}$ S.M.S. (figure 3) Drill $\frac{7}{64}$ " holes using existing holes in wall channel as a guide. Align the corner posts with apexes in the top rail and secure with #6 x $\frac{3}{8}$ S.M.S. Again, drill $\frac{7}{64}$ " holes using existing hole in corner post as a guide. (figure 3)

5. **INSTALLING DOOR JAM WITH MAGNETIC STRIP**

At this point, you must determine a left or right hand opening of the D-38 door. Now position the jamb as it should be, namely on the shower spout side, and notch out the upper end as seen in figure 4 using a hacksaw.

Insert the notched end first into the corner post. You may want to use tape to hold it in place temporarily.

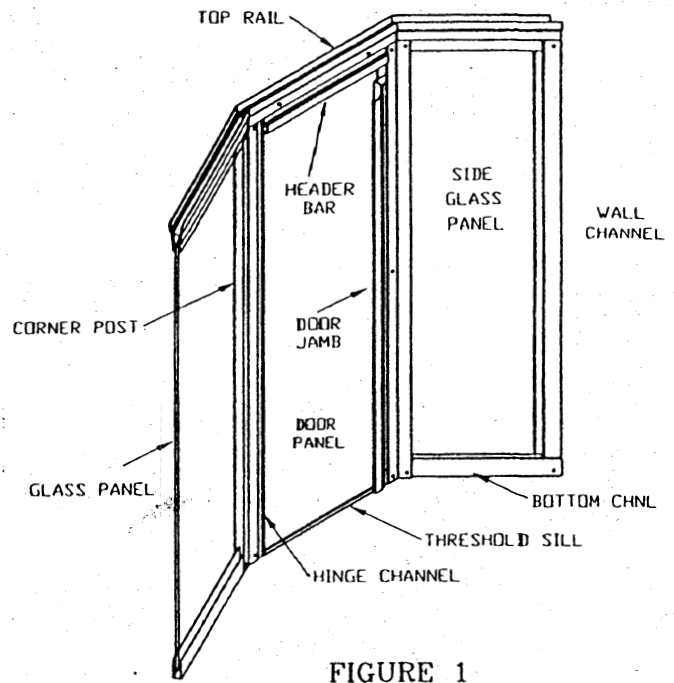


FIGURE 1

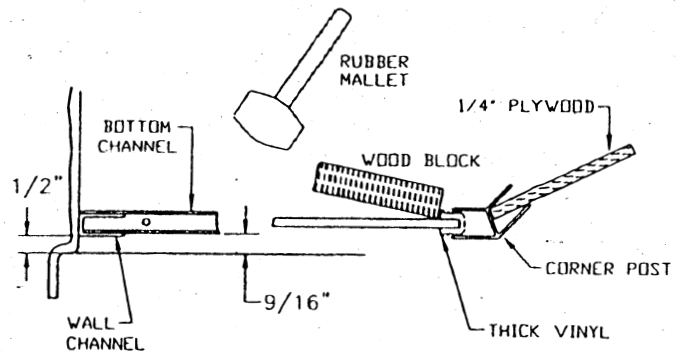


FIGURE 2

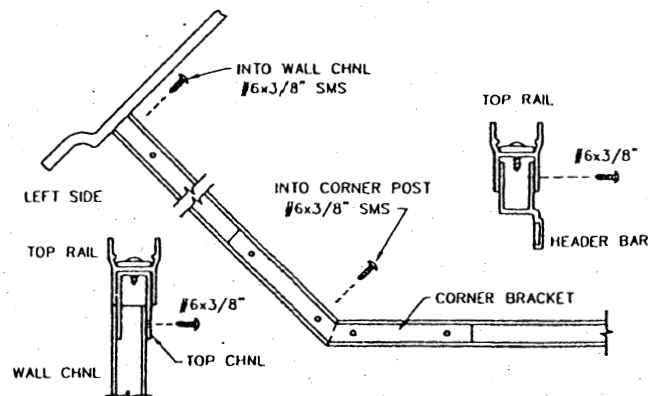


FIGURE 3

6. INSTALLING DOOR PANEL WITH HINGE CHANNEL

Select the upper end of the hinge and notch out the corner as seen in figure 4. Insert the notched end of the hinge channel, with door panel, in the other corner post.

7. MOUNTING THE HEADER BAR AND JAMB SCREWS

With the door closed, verify that the gap between the door panel and door jamb is even from top to bottom. Adjust by shifting the jamb or door panel as required. (Slide header bar into position and adjust for a $\frac{1}{16}$ " (1.5 mm) gap between header and top of door.) From the inside of the unit, drill $\frac{7}{64}$ " (3 mm) holes at top, middle and bottom of door jamb and hinge jamb and secure the jambs with #6 x $\frac{3}{8}$ " pan head sheet metal screws. (figure 1) Repeat for header bar. (figure 3)

****Avoid Drilling Into The Glass Panels****

8. ADJUSTING THE VINYL GASKET

Using a block of wood and a rubber mallet, gently tap the vinyl gasket properly into the channels as required. (figure 2)

9. INSTALLING THE THRESHOLD SILL

Threshold strip must be cut to length. Raised bump goes on the outside with slope angled to inside of unit. Peel release liner and fix in position. (figure 1)

10. INSTALLING THE SPLASH SHIELD

First, slide the vinyl door sweep onto the splash shield (see figure 5) then align the splash shield, on the inside of the door, with a gentle slope ($\frac{1}{8}$ ") towards the hinge side and mark the ends. The vinyl sweep should just wipe across the threshold sill. Peel adhesive backing and stick splash shield in place using your marks as reference.

Apply the vinyl water dam at the high end of the splash shield with a dab of clear silicone. (figure 5)

11. TOWEL BAR

Refer to figure 6 for installation of TOWEL BAR.

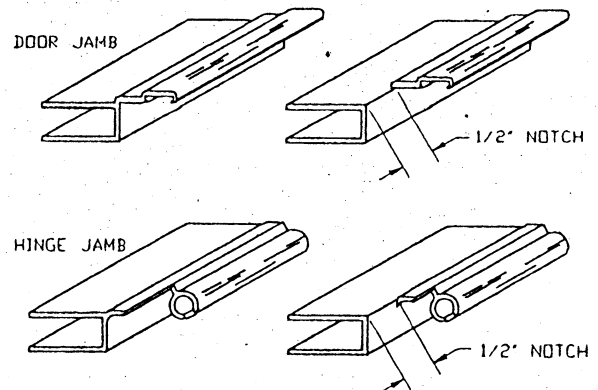


FIGURE 4

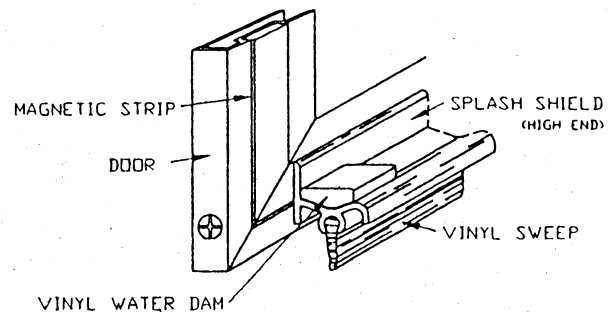


FIGURE 5

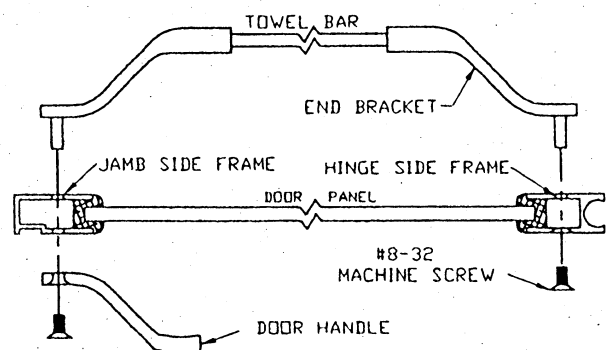


FIGURE 6

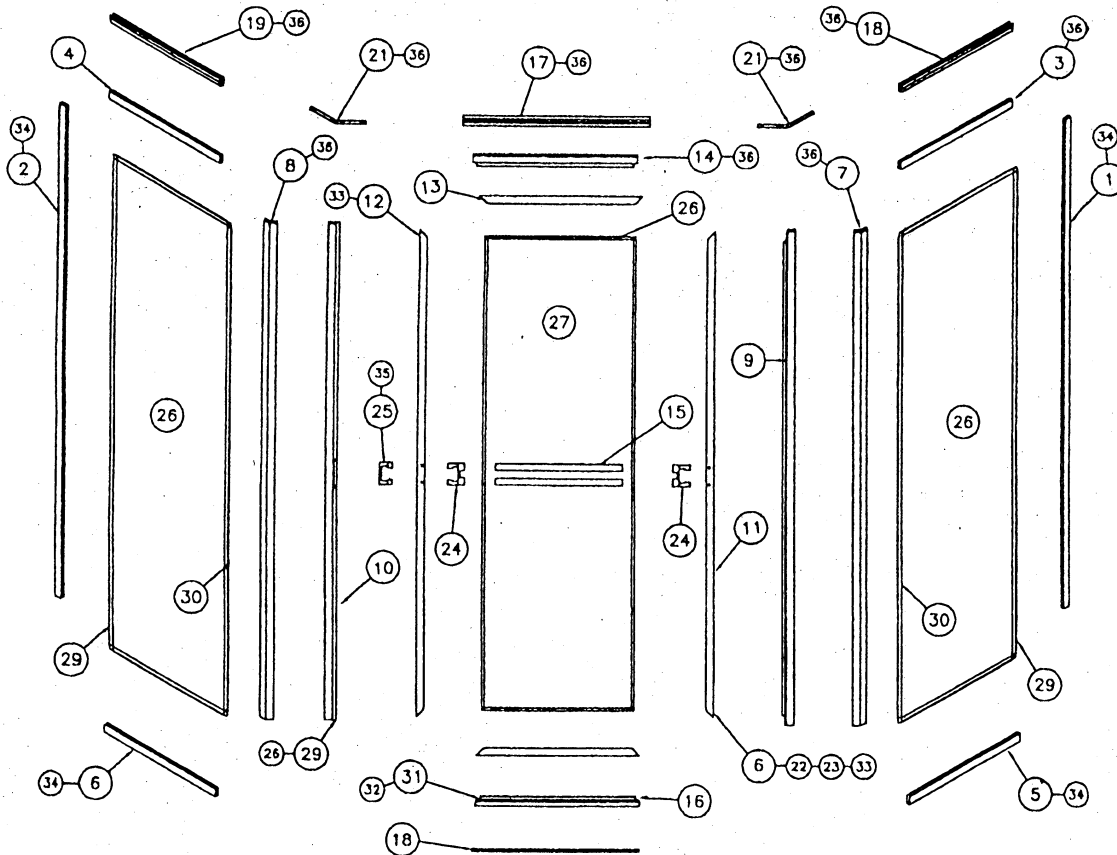
Section Through Door Panel

PART LIST - NEO ANGLE D-38 SHOWER DOOR

ITEM	DESCRIPTION		QTY	ITEM	DESCRIPTION		QTY
					D-38 DOOR PART #'S		
1	RH WALL/GLASS CHNL	A_3801	1	19	LH TOP RAIL	A_3819	1
2	LH WALL/GLASS CHNL	A_3802	1	20	THRESHOLD SILL	A_3820	1
3	RH TOP WING CHNL	A_3803	1	21	ANGLE BRACKETS	HW 3845	2
4	LH TOP WING CHNL	A_3804	1	22	HINGE BUSHING	HW 6060	2
5	RH BOTTOM CHNL	A_3805	1	23	BUSHING WASHER	HW 2538	2
6	LH BOTTOM CHNL	A-3806	1	24	TOWEL BAR BRACKET	H_8132	2
7	RH CORNER POST	A_3807	1	25	INSIDE PULL HANDLE	H_8148	1
8	LH CORNER POST	A_3808	1	26	SIDE GLASS PANEL	GCS382	2
9	MALE HINGE CHANNEL	A_3809	1	27	DOOR GLASS PANEL	GCC380	1
10	DOOR JAMB	A_3810	1	28	CTR PNL GLAZING SPLINE	VLO682	1
11	DR CHNL FEMALE HINGE	A_3811	1	29	WING PNL GLAZING SPLINE	VL2494	2
12	DR CHNL JAMB SIDE	A_3812	1	30	WING PNL CORNER SPLINE	VLXXX	2
13	TOP/BOT DOOR CHNL	A_3813	2	31	VINYL DOOR SWEEP	VL0120	1
14	HEADER BAR	A_3814	1	32	VINYL WATER DAM	VL0125	1
15	TOWEL BAR	A_3815	2	33	#8 X 1 1/2" DR FRM SCREW	S_0805	4
16	SPLASH SHIELD	A_3816	1	34	#8 X 1" CHNL SCREW	SC0803	16
17	CENTER TOP RAIL	A_3817	1	35	#8 -32 X 1/2" FLAT HEAD SCREW	S_0801	4
18	RH TOP RAIL	A_3818	1	36	#6 X 3/8" PAN HEAD SCREW	S_0607	20

*CHANNELS WITH MAGNETIC STRIP

NOTE: FILL IN THE BLANKS - C FOR CHROME & B FOR BRASS OR GOLD



NOTE: SHOWN IN LEFT HAND CONFIGURATION

National Customer Assistance Group
 255 Hutchings Street, Winnipeg, Manitoba R2X 2R4
 Phone: 204-633-6122 Fax: 204-632-4854
 Toll Free 1-800-665-7531
 In the U.S. call 1-800-546-5476
 Distribution Coast to Coast

NOTICE TO THE INSTALLER

RE: D-38 DOOR

AFTER THE DOOR IS ASSEMBLED, SILICONE MUST BE APPLIED TO THE OUTER EDGES OF THE SIDE AND BOTTOM CHANNELS WHERE THEY MEET THE ACRYLIC SURFACE, AND ACROSS THE BOTTOM THRESHOLD SILL.

* WHEN INSTALLING PATTERNED GLASS, THE PATTERN SURFACE FACES INTO THE SHOWER.