

ENVIRO SUITES



INSTALLATION MANUAL

FOR MODELS:

MTS-2010E ENTITY MTS-377E ESSENCE

MS-305E ENCOUNTERS MS-306E INCLINATIONS

MS-348E ELATIONS MCS-338E NOTIONS 1W-380E SENSATIONS

FIAT[®]
PRODUCTS LTD.

255 Hutchings Street, Winnipeg, Manitoba R2X 2R4 (204) 633-6122

**** **IMPORTANT** ****

NOTICE TO INSTALLER

The plumbing system and the door enclosure on this unit have been water-tested at the factory to ensure against leaks in the piping or the seal of the door.

Before enclosing the unit it is important to re-test to ensure that no damage has occurred during transportation or installation.

WARRANTY:

Fiat Products Ltd. warrants all its product to be free from manufacturing defects including workmanship and materials, and will at its option repair or replace any defective product upon prompt notification to the company, and examination by a representative of Fiat Products Ltd. This warranty will not apply to any product which has been altered in any way without prior written approval of a senior officer of Fiat Products Ltd. and does not apply to damage caused by abuse or misuse or improper installation and all consequential damage.

Fiat Products shall not be liable for any injury, loss or damage, direct or consequential arising out of the use or the inability to use the Product. Before using, the user shall determine the suitability of the product for the intended use and user assumes all risk and liability whatsoever in connection therewith.

This warranty is in lieu of all others expressed or implied and may not be extended by representatives, written sales information or drawings. While we recommend uses for products based on technical information and tests we believe to be reliable, the accuracy and completeness thereof is not guaranteed. Fiat Products, in no way guarantees particular methods of use or application or performance under special conditions.

ENVIRO SUITE INSTALLATION

RELATIONS	MS-348E	ENTITY	MTS-2010E
ENCOUNTERS	MS-305E	ESSENCE	MTS377-E
INCLINATIONS	MS-306	SENSATIONS	IW-380E
NOTIONS	MSC-338E		

1. PRE-INSTALLATION PLANNING

A protective plastic sheet has been applied to the front face of the unit. It is advised to leave this plastic on during installation to prevent scratching the acrylic. A protective piece of cardboard, about the same size as the floor of the unit, should be cut from the cardboard face cover and placed within the bottom of the unit. The cardboard face cover should also be used after installation is complete to protect the unit during the construction period. All plumbing and electrical shall be installed in accordance with inspection authorities' requirements. If fire rated walls are specified, finished fire rated boards should be in place before units are installed. Access must be provided to permit servicing or replacement of valve, whirlpool pump and/or blower unit. The Enviro Suite shower systems are fully-plumbed from the factory. These models are intended for new construction, and must therefore be in place before framing is complete. It is necessary to plumb 3/4" hot and cold water lines direct from the main to the main control valve for optimal use.

2. ELECTRICAL POWER REQUIREMENTS

ELECTRICAL POWER SUPPLY REQUIREMENTS							
OPTIONS	MODELS						
	348E	305E	306E	338E	380E	377E	2010E
CANOPY LIGHT	120V, 15A	120V, 15A	120V, 15A			120V, 15A	120V, 15A
MOOD LIGHTS	120V, 15A	120V, 15A	120V, 15A		120V, 15A	120V, 15A	120V, 15A
STEAM GEN.	220V, 20A	220V, 20A	220V, 20A	220V, 20A		220V, 20A	220V, 20A
WHIRLPOOL					120V, 15A	120V, 15A	120V, 15A
BLOWER				120V, 15A	120V, 15A	120V, 15A	120V, 15A
WHIRL/BLOWER					120V, 20A	120V, 20A	120V, 20A
WHIRL/BLOWER & MOOD LIGHTS					120V, 20A	120V, 20A	120V, 20A

Where required by code, all electrical components must have ground fault circuit protection (supplied by others).

Refer to Manufacturer's Installation Instruction of whirlpool pump, bubbler blower, steam generator, and timer controls for more details.

3. CAUTIONS AND WARNINGS

DO NOT LIFT ANY ENVIRO SUITE WHIRLPOOL BY PIPING. CARE MUST BE TAKEN TO AVOID DAMAGING WHIRLPOOL TUB PIPING BY FORCING IT THROUGH TOO NARROW A STUD OPENING. CARE MUST BE TAKEN NOT TO SUPPORT WEIGHT OF TUB WITH DRAIN PIPE.

THE WHIRLPOOL PUMP AND BLOWER MUST NOT BE RELOCATED. DO NOT MODIFY THE WHIRLPOOL SYSTEM, AS THIS WILL ADVERSELY AFFECT THE WHIRLPOOL. FIAT SHALL NOT BE LIABLE UNDER ITS WARRANTY OR OTHERWISE FOR PERSONAL INJURY OR DAMAGE CAUSED BY ANY SUCH UNAUTHORIZED MODIFICATIONS.

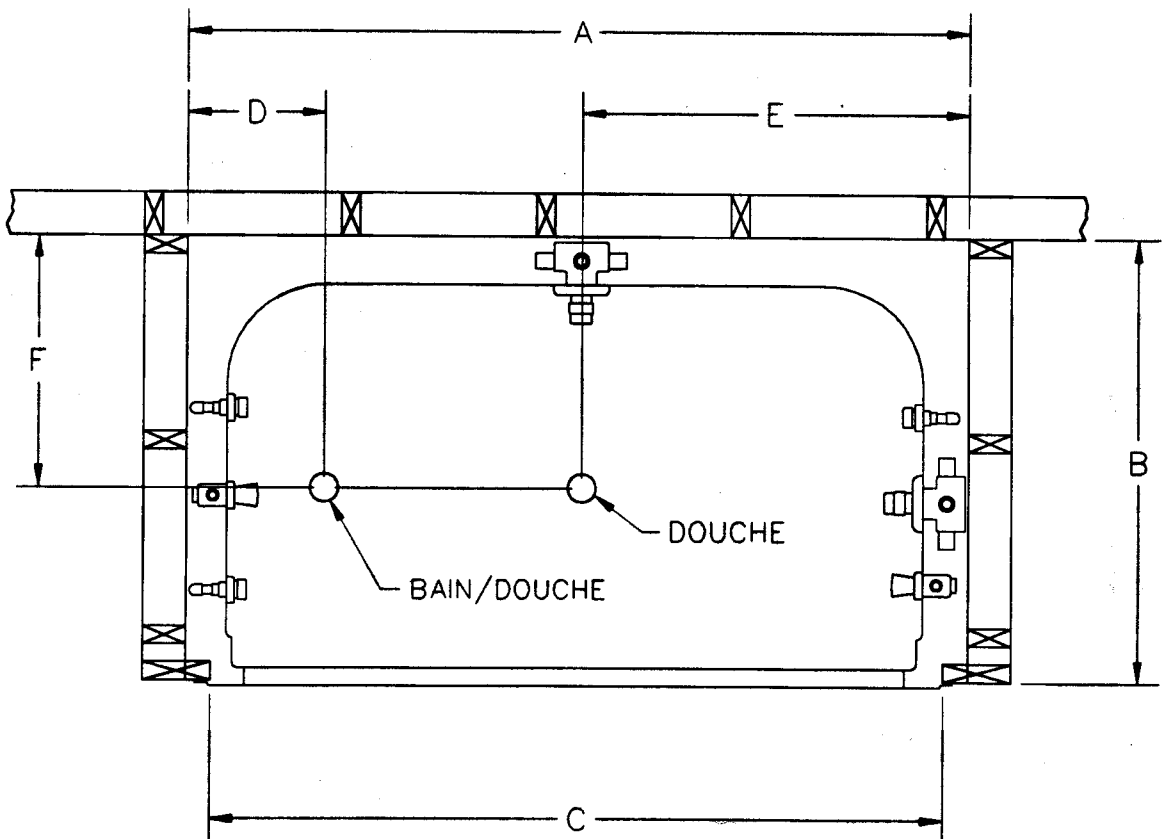
Clean unit thoroughly of all dirt and debris before testing.

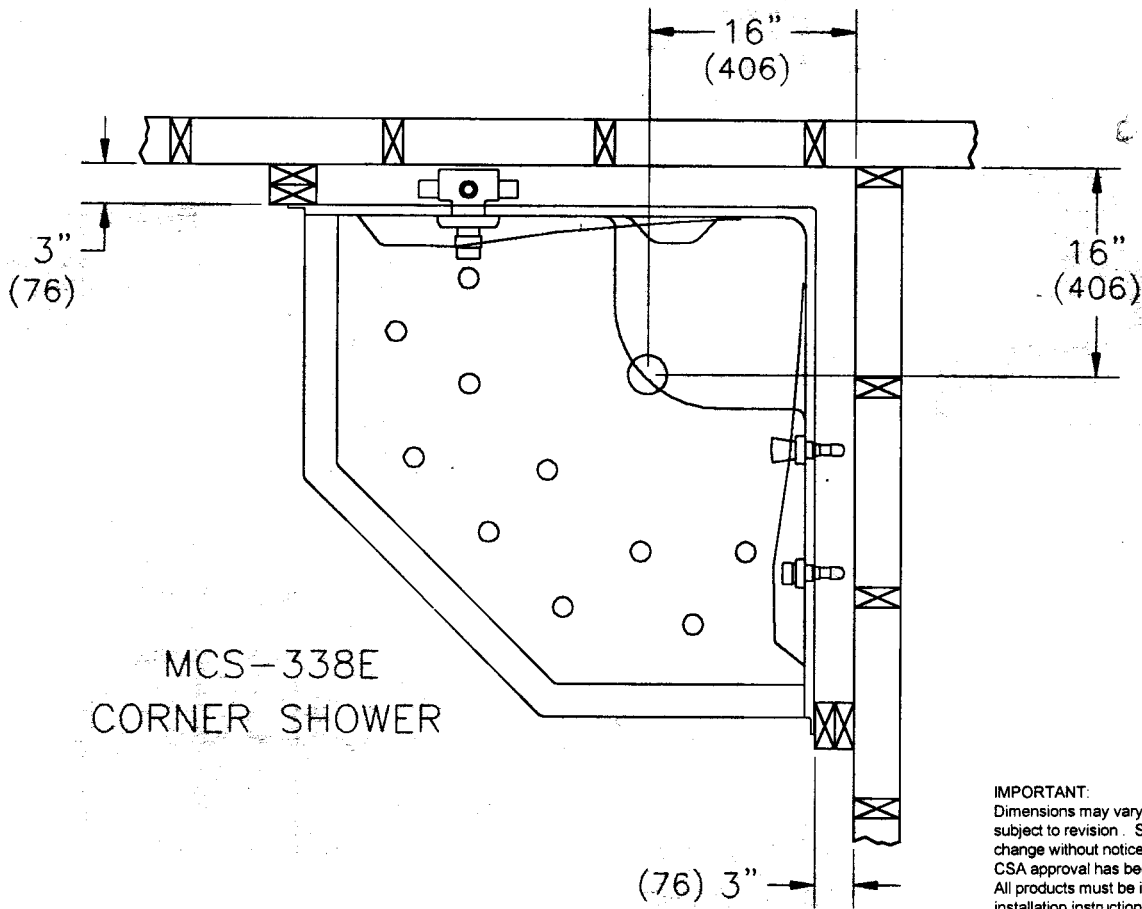
Never start pump unless tub is filled with water to 1-1/2" (40mm) below overflow.

Enviro Suite enclosures are CSA-certified under certification number LM34551.

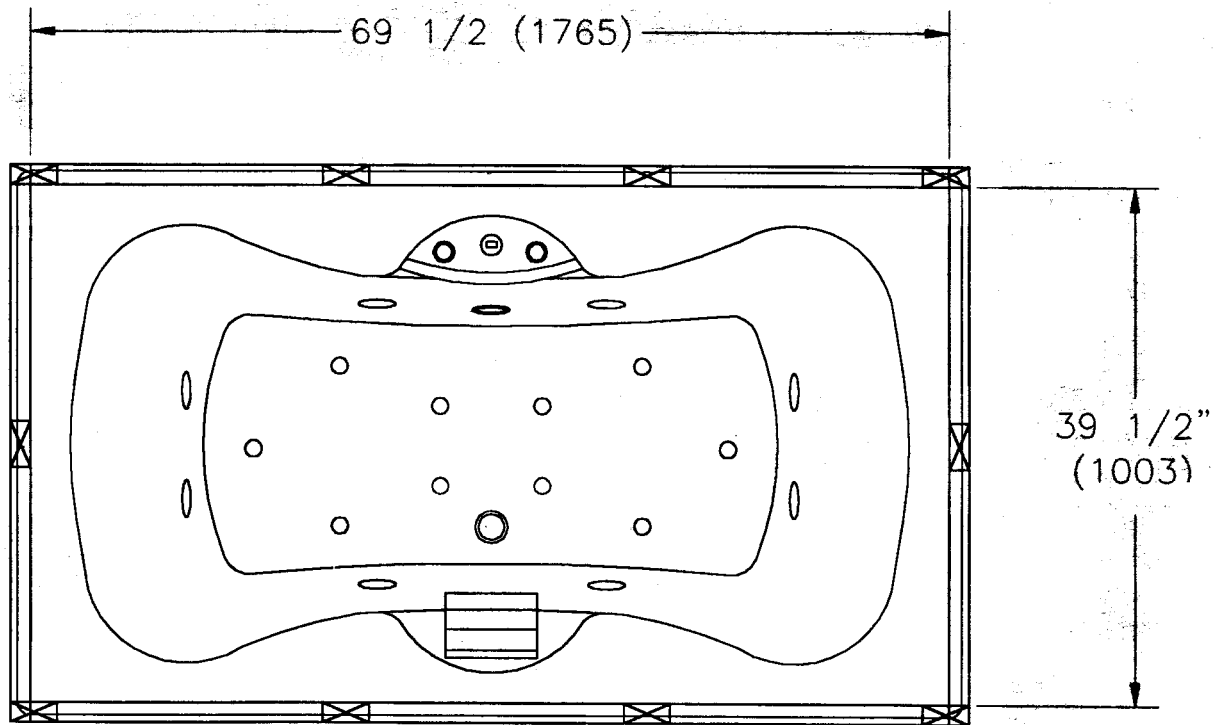
4. ROUGH-IN DIMENSIONS - Refer to appropriate drawing & chart:

MODEL	DIM A	DIM B	DIM C	DIM D	DIM E	DIM F
MS-348E	53½" (1360 cm)	35" (890 cm)	48" (1220 cm)		26¾" (680 cm)	18½" (470 cm)
MS-305E	64½" (1638 cm)	35" (890 cm)	60" (1524 cm)		32¼" (819 cm)	18½" (470 cm)
MS-306E	64½" (1638 cm)	35" (890 cm)	60" (1524 cm)		32¼" (819 cm)	18½" (470 cm)
MTS-2010E	66" (1676 cm)	35" (890 cm)	60" (1524 cm)	9¼" (235 cm)		23" (584 cm)
MTS-377E	77" (1956 cm)	40½" (1029 cm)	72" (1830 cm)	21½" (546 cm)		30½" (775 cm)





IMPORTANT:
 Dimensions may vary plus or minus 1/4" (6 mm) and are subject to revision. Specifications are subject to change without notice. Unless otherwise specified, CSA approval has been obtained wherever required. All products must be installed in accordance with installation instructions and local plumbing codes. System performance will vary with local water pressure.



HEIGHT OF FRAME-IN MUST BE 20 1/2" (520)

ISLAND BATH IW-380E

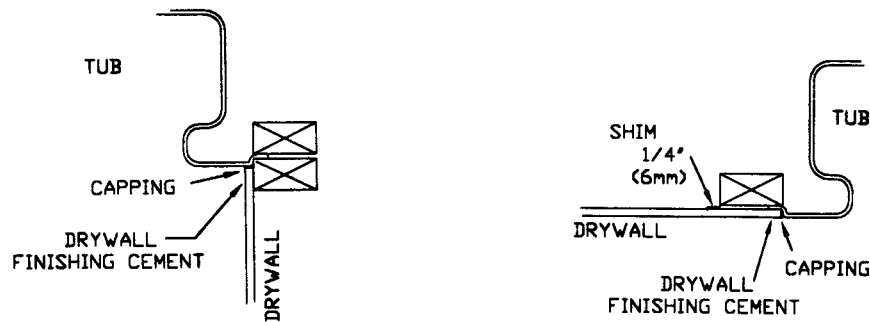
*****PLEASE NOTE:** HEIGHT OF FRAME MUST BE 23.5" WHEN BUBBLER SYSTEM IS INSTALLED.

5. INSTALLATION PROCEDURE

If the unit is installed adjacent to an outside wall, plumbing pipes and fittings must fit inside and not protrude through the vapour barrier.

An access panel **MUST** be provided to allow servicing or replacement of valve, whirlpool pump, blower unit, and / or steam generator.

- a. Place unit into stud opening. It is recommended to leave out one wall until unit is in position. The front flange 2"x6" studs **MUST** be left out until the unit is in place and levelled. (see figure below).
- b. Make drain connections and hook-up 3/4" hot and cold water lines to the main valve.
- c. Use shims as required to level the unit vertically and horizontally. Nail or glue shims in place under sump support board.
- d. Toe-nail 2"x6" studs in place, and secure unit with screws through the entire length of both side flanges.
- e. Frame in space over top of the unit. Finish front of unit using recommended construction as shown below.



6. CLEANING AND CARE OF ACRYLIC BATHWARE

Acrylic bathware is molded of colourfast acrylic to provide a thick, smooth, super strong surface. It is reinforced with fibreglass for years of durable service.

The protective plastic sheet applied to the unit will upon its removal, leave a film on the acrylic. To remove this film, use a soft cloth dampened with rubbing alcohol or turpentine and wipe the area clean.

NEVER USE ABRASIVE CLEANSERS UNDER ANY CIRCUMSTANCES!

For day to day cleaning, use only liquid or foam cleaners with a soft cloth.

Dull area may be restored or light scratches removed, by rubbing with an automotive rubbing compound, followed by a light application of liquid or automotive car wax. If the unit has been damaged in any way, contact your local distributor for local repair service.

NOTE: Whirlpool system must be flushed every 90 days as follows: fill the bath with hot water only. Add to the hot water 2 teaspoons of low foaming dishwashing detergent such as Cascade or Calgonite. Run the whirlpool for 10 to 15 minutes. Drain the bath completely. Fill the bath with cold water only. Run the whirlpool for 5 to 10 minutes. Drain bath completely.

WARNING: Soap and water only should be used for the cleaning of decorative screened glass. Avoid any cleaning agents labelled with a corrosive warning sign.