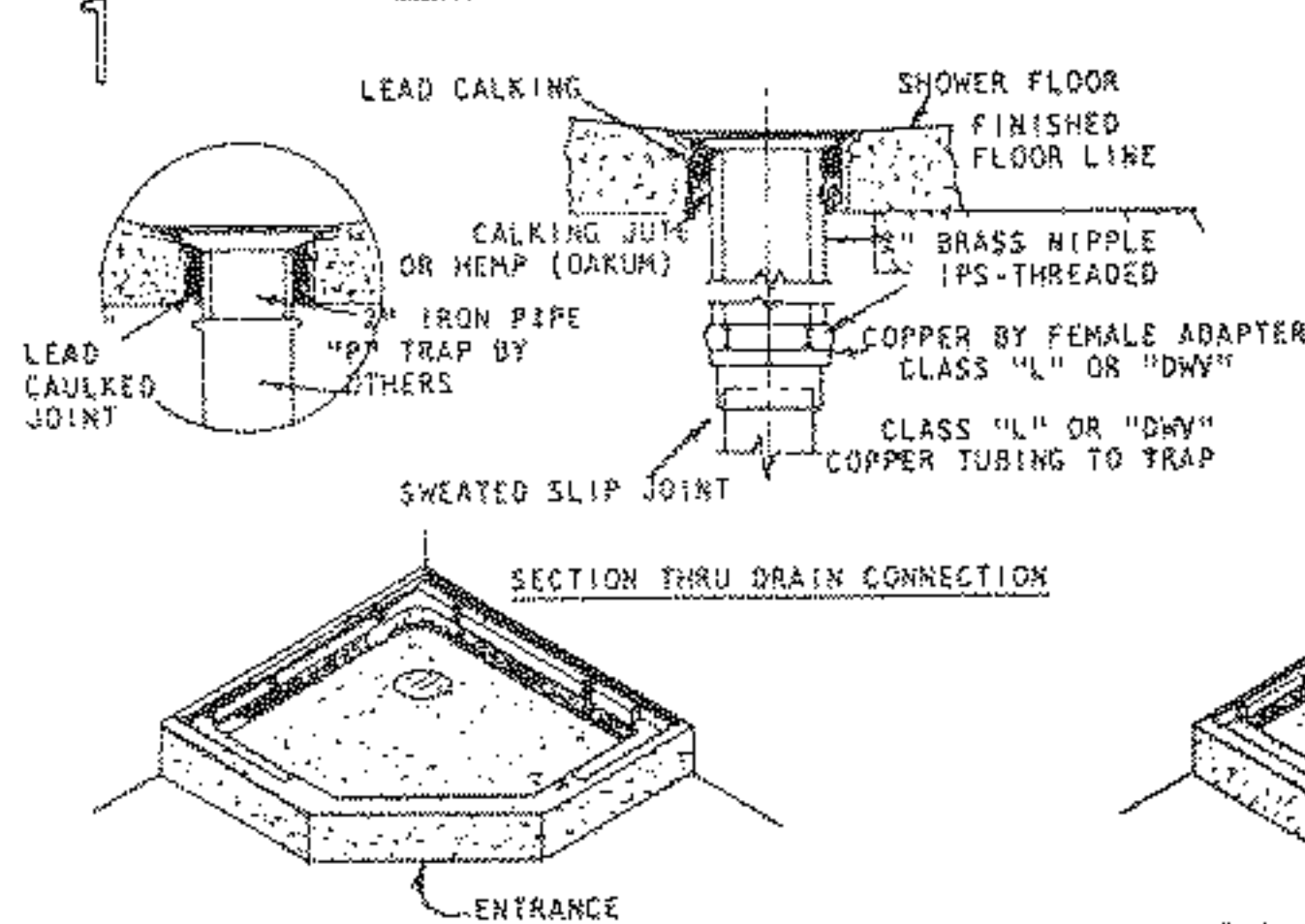
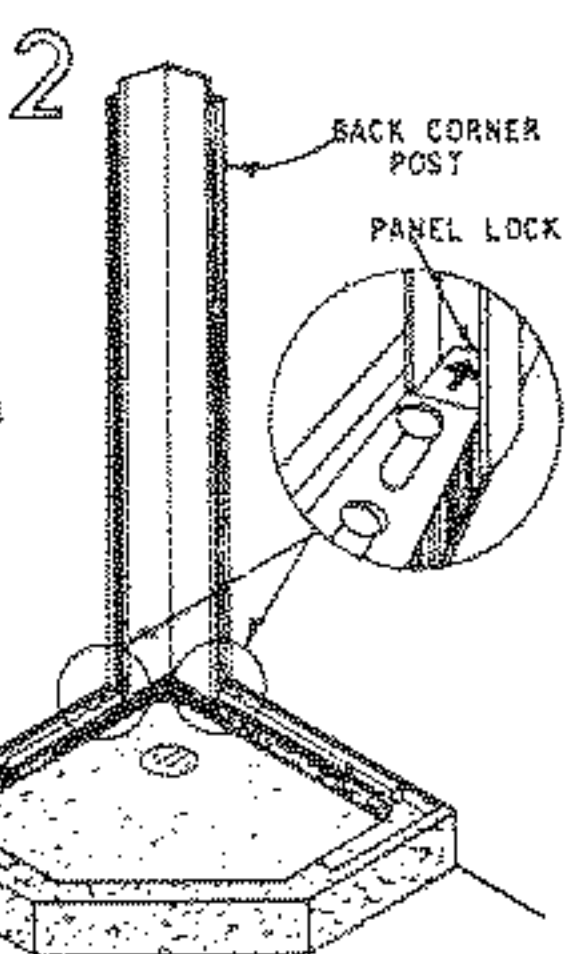


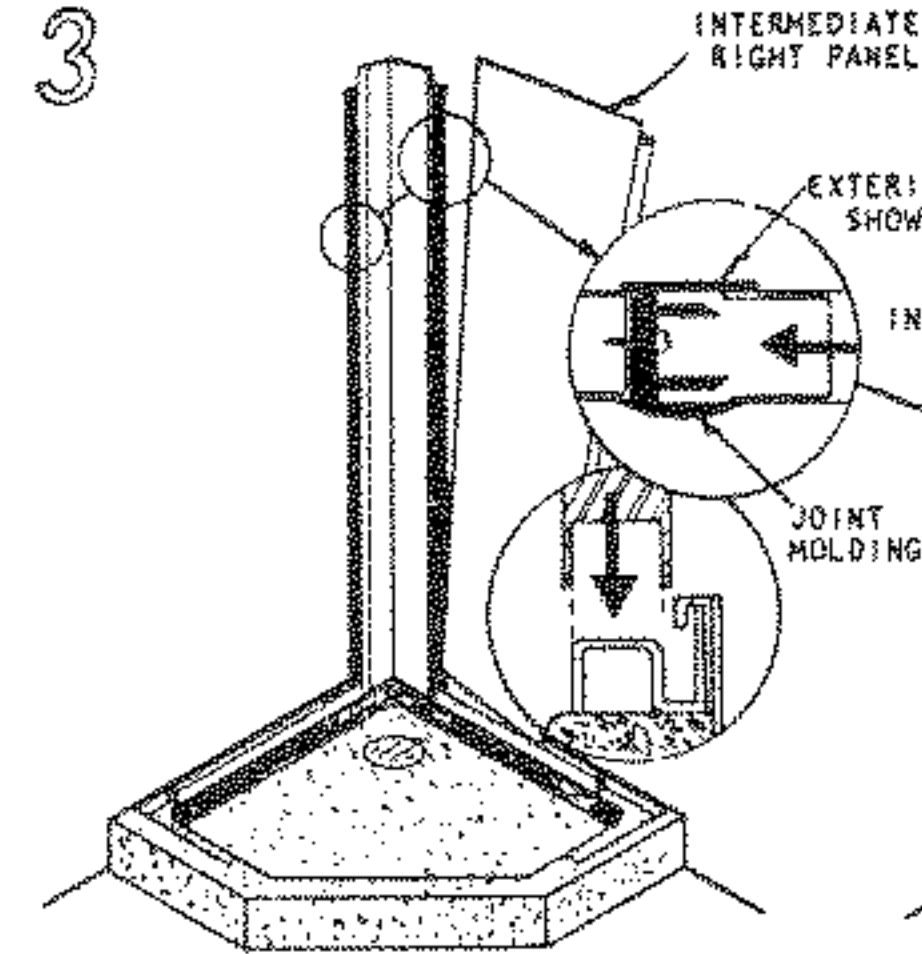
1 ALTERNATE DRAIN PIPE CONNECTION WHERE COPPER TUBE PLUMBING SYSTEM IS USED



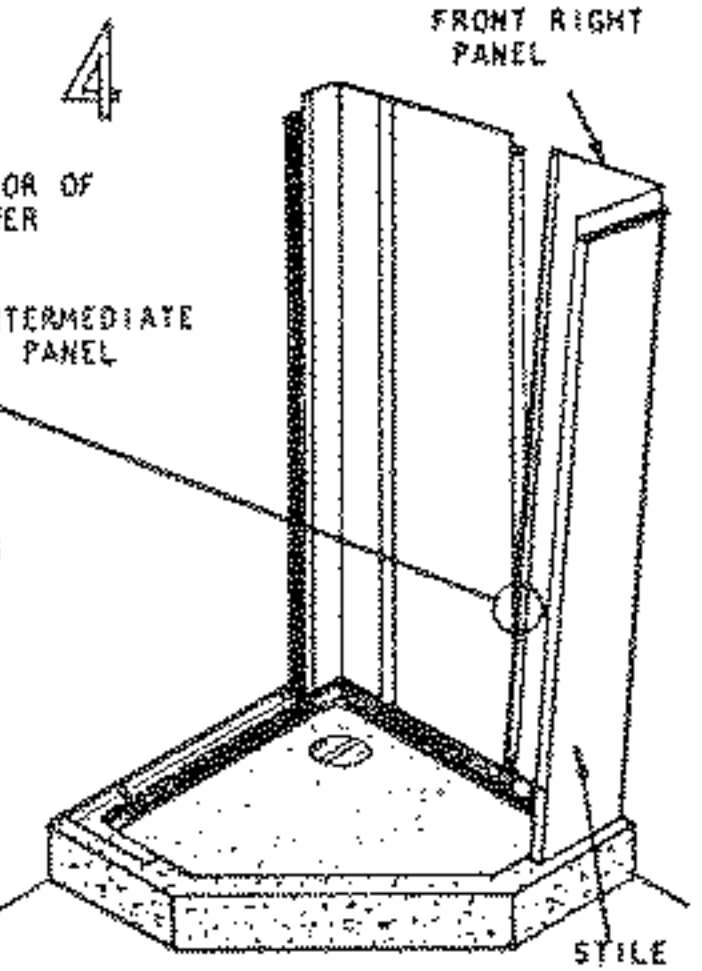
BE SURE SHOWER FLOOR IS SET LEVEL TO INSURE PROPER DRAINAGE. COVER SHOWER FLOOR TO PROTECT IT FROM DIRT AND DAMAGE. FLOOR DRAIN TO BE CONNECTED TO A 2" IRON PIPE AND "P" TRAP (FURNISHED BY OTHERS) WITH LEAD CAULK JOINT. NOTE: SEE ALTERNATE DRAIN PIPE CONNECTION ABOVE.



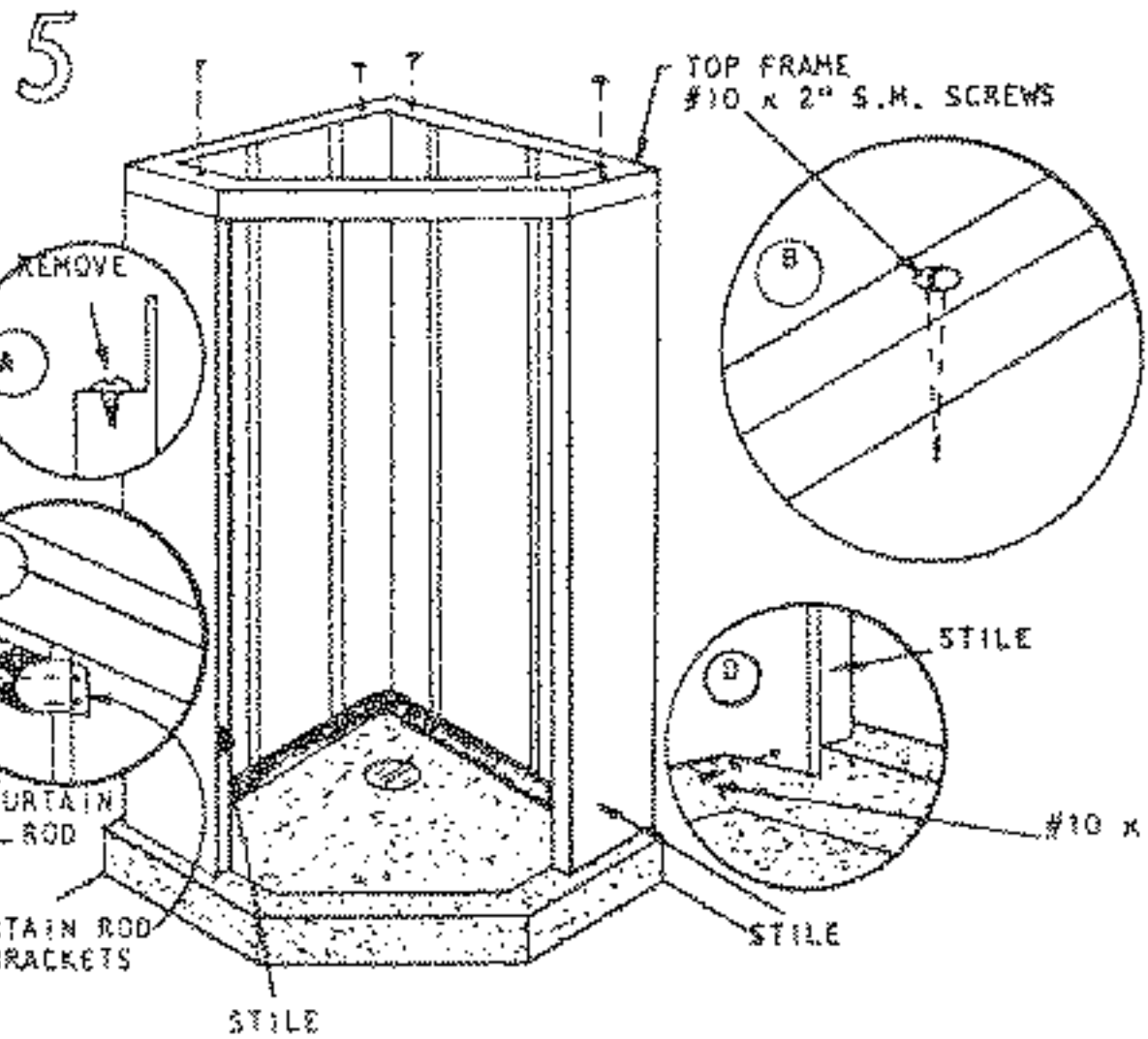
POSITION BACK CORNER POST SQUARELY ON SHOULDERS OF SHOWER FLOOR. POST IS LOCKED IN PLACE AT BOTH SIDES BY SLIDING PANEL LOCK INTO SLOT PROVIDED ON MOLDING, THEN TIGHTEN SCREWS.



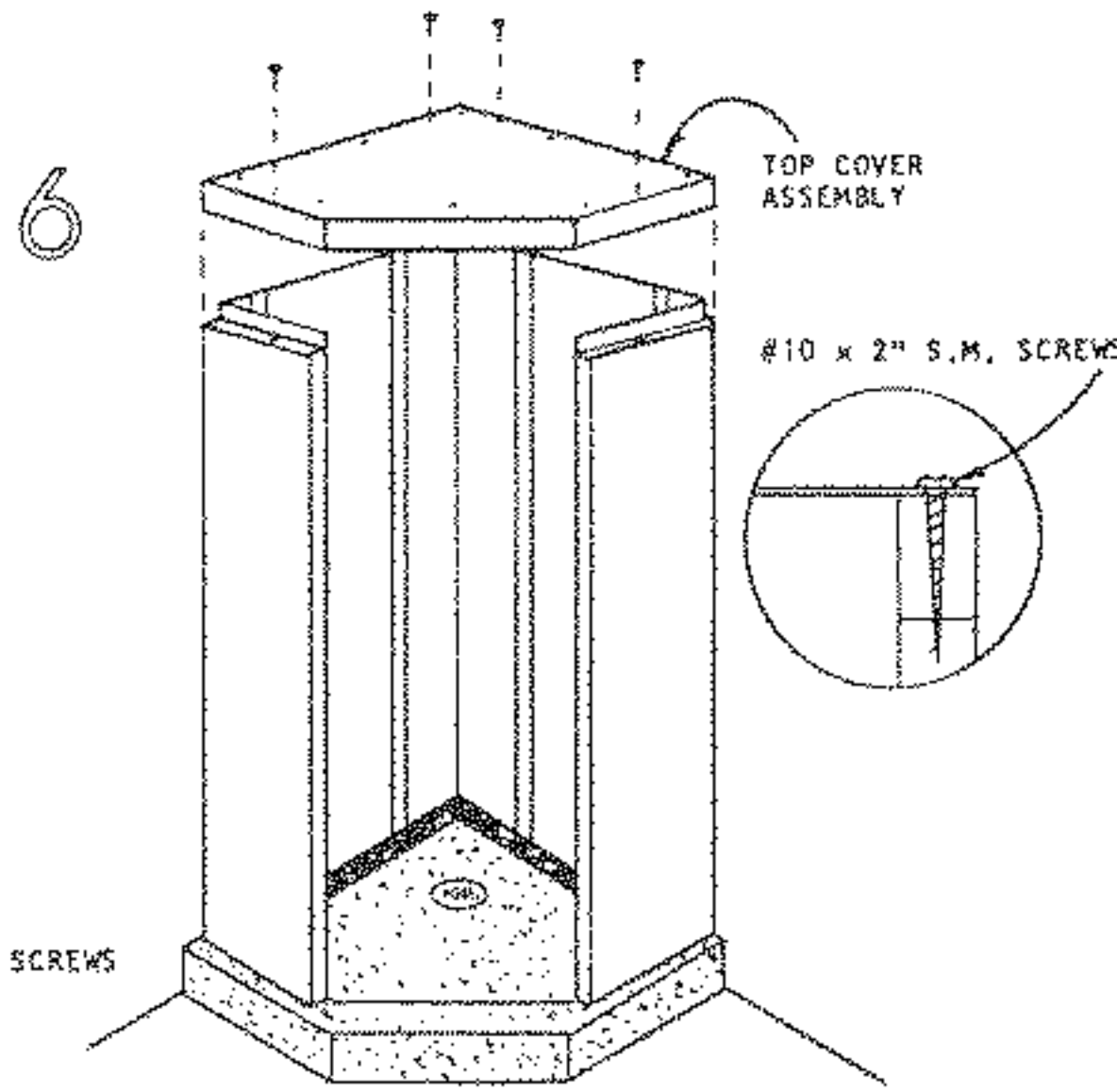
INSTALL INTERMEDIATE RIGHT PANEL BY TILTING PANEL INTO POSITION AS SHOWN, BEING SURE PANEL IS INSERTED PROPERLY INTO JOINT MOLDING, AS SHOWN IN DETAIL ABOVE.



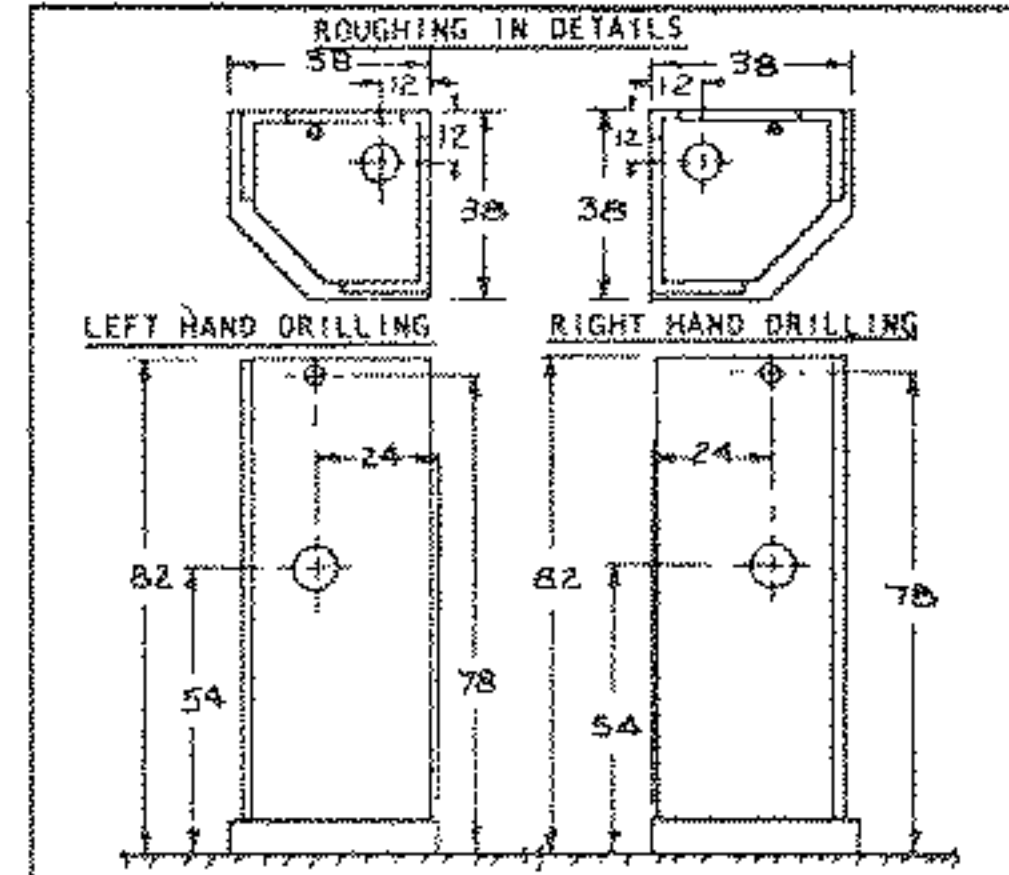
INSTALL FRONT RIGHT PANEL AS SHOWN ABOVE, AGAIN BEING SURE INTERMEDIATE PANEL IS INSERTED PROPERLY INTO JOINT MOLDING, AS SHOWN IN DETAIL ABOVE. USE SAME PROCEDURE AS OUTLINED IN STEPS 3 & 4 FOR LEFT HAND PANELS.



FROM INSIDE OF SHOWER, REMOVE ALL #10x3/4 S.M. SCREWS FROM TOP EDGE OF PANELS. SEE DETAIL "A". POSITION TOP FRAME, FASTEN WITH #10 x 2" S.M. SCREWS. (SEE DETAIL "B") FASTEN CURTAIN ROD WITH BRACKETS (SEE DETAIL "C") USING SCREWS\* REMOVED FROM TOP AS INDICATED IN DETAIL "A" AND THOSE FURNISHED IN HARDWARE PACKAGE. SECURE STILES TO FLOOR FLANGE WITH #10x1 1/4" S.M. SCREWS. SEE DETAIL "D".



OPTIONAL TOP COVER ASSEMBLY FOLLOW PROCEDURE AS IN STEP NO. 5 DETAIL "B". REMOVE AND USE SAME #10 x 2" SCREWS WHICH HOLD DOWN TOP FRAME.



NOTE: LOCATION OF DRILLING SHOWN IS FOR TYPICAL FIXING VALVE. SEE SPECIAL ROUGHING-IN SHEET FOR OTHER VALVES. ALL VALVES AND HEADS ARE OPTIONAL.

PACKING LIST:

1. (1) SHOWER FLOOR
  2. (1) BACK CORNER POST
  3. (2) INTERMEDIATE PANELS
  4. (2) FRONT PANELS
  5. (1) TOP FRAME
  6. (1) SHOWER CURTAIN WITH HOOKS
  7. (2) CURTAIN ROD BRACKETS
  8. (1) CURTAIN ROD
  9. (1) BOTTLE OF TOUCH UP PAINT
  10. (4) #10x2" S.M. SCREWS
  11. (2) #10x1 1/4" S.M. SCREWS
  12. (\*) #10x3/4" S.M. SCREWS
  13. (1) ASSEMBLY INSTRUCTIONS (THIS DRAWING)
  14. (1) C.P. SOAP DISH WITH SCREWS
- (\*NONE IN HARDWARE PACKAGE, REMOVE AND USE THOSE SHOWN IN DETAIL "A")

799-CC

STOCK SPECIFICATION		
QA-SIZE	KIND	FINISH

**FIAT**  
FIAT PRODUCTS DEPARTMENT  
AMERICAN CYANAMID COMPANY  
CENTRAL ENGINEERING

FIELD ASSEMBLY INSTRUCTIONS FOR NEO-CORNER COMMANDER DESIGN NO. S-101

DRAWN BY	DATE	PART NO.	DRAWING NO.
A.C.	10/11/65		799-CC

PART DWG USED ON