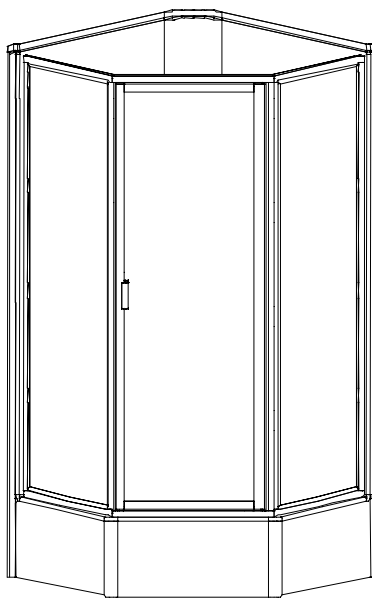


# FIAT

PRODUCTS LTD

## INSTALLATION INSTRUCTIONS FOR MODEL SD-39 SHOWER DOOR

FOR USE WITH MCS 338 SERIES SHOWERS



### **Read Instructions Carefully:**

Familiarize yourself with the parts as shown in the exploded view (located at the back of this manual). The exploded view will also provide a helpful reference when relating the location of the various parts and how they are installed.

Note: Some parts may be packaged inside a cardboard insert found within the carton.

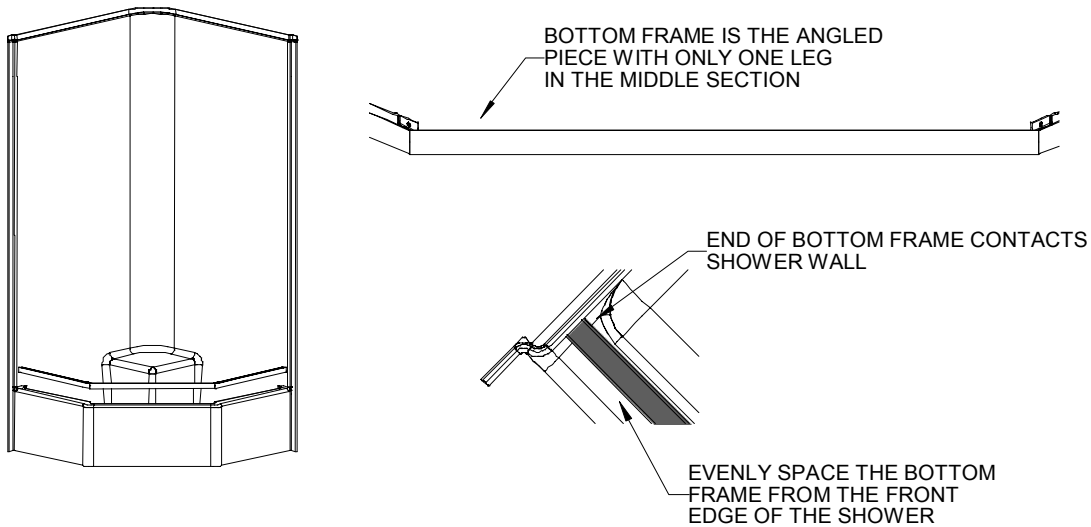
### **Tools and Materials Needed:**

Tape Measure, Electric Drill, Level, Phillips Screw Driver, Clear Silicone Caulk, 7/64" Drill Bit, 9/64" Drill Bit, Duct Tape Utility Knife, Rubbing Alcohol, Clean Dry Cloth

Fiat Products Ltd  
255 Hutchings Street, Winnipeg, MB, R2X 2R4 Ph# 204-633-6122

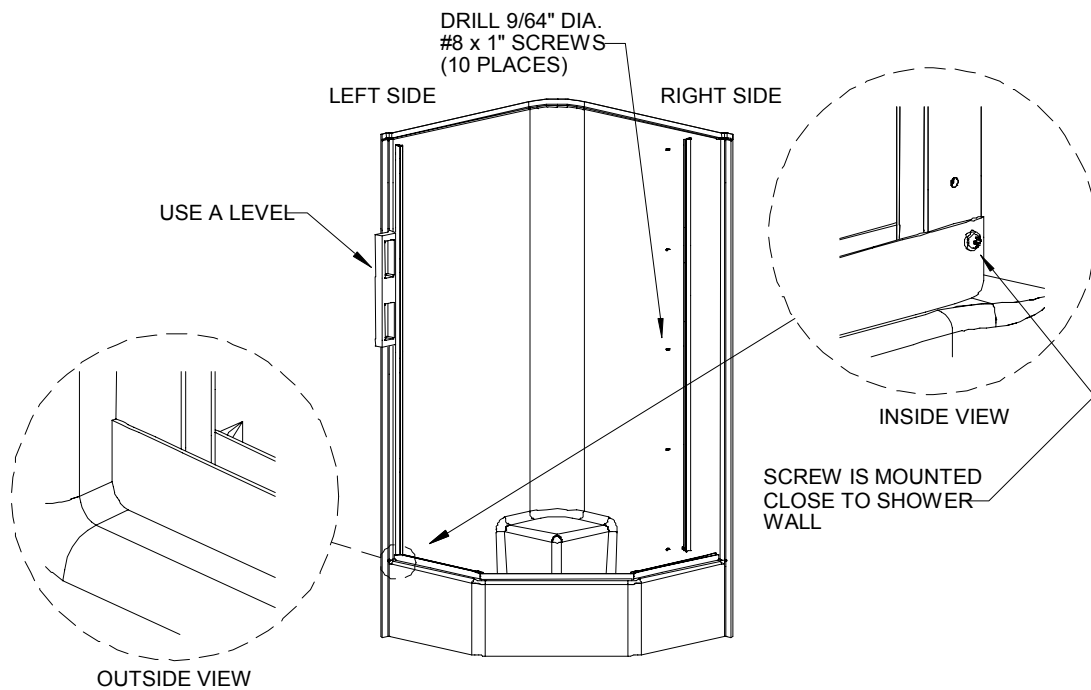
Rev 05/03

# 1 - BOTTOM FRAME ASSEMBLY



Position the Bottom Frame evenly onto the shower ledge so each end touches the shower wall.

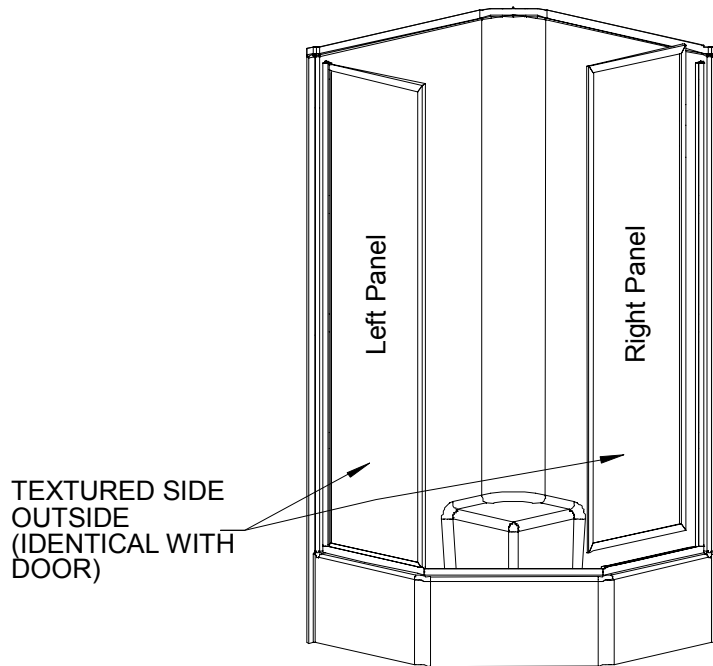
# 2 - WALL JAMB ASSEMBLY



Place each Wall Jamb into the Bottom Frame as shown in the "Outside View", plumb each Wall Jamb using a level, and mark each of the five holes for each Jamb. Remove the Jamb and drill five holes on each side of the Shower wall using a 9/64" drill bit. Replace each Wall Jamb and secure using #8 x 1" screws.

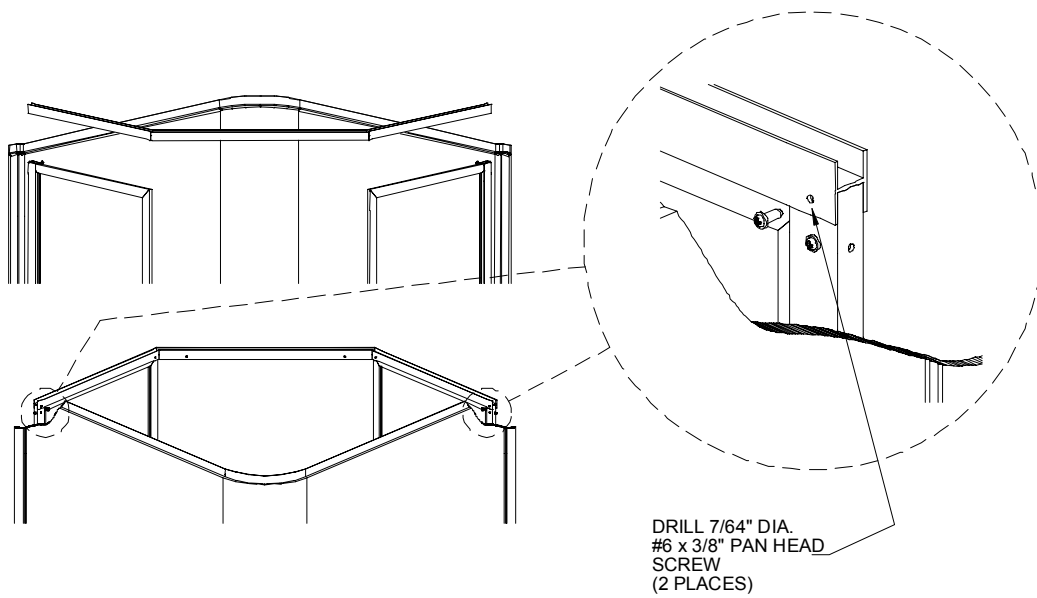
Drill and screw the bottom frame to the bot of each wall jamb from the inside as shown in the inside view using a 7/64" drill bit and #6 x 3/8" screws.

### 3 – SIDE PANEL INSTALLATION



Place the two Side Panels as shown. **DO NOT** fasten or secure.

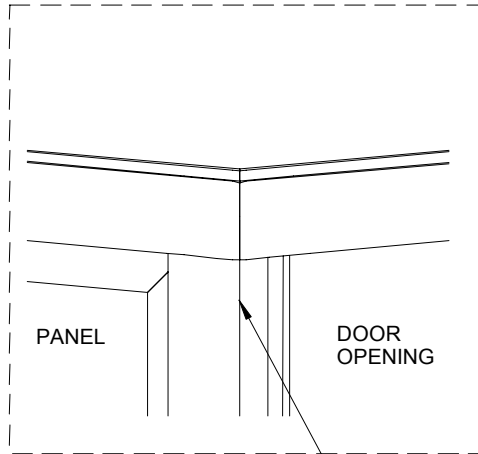
### 4 – TOP FRAME INSTALLATION



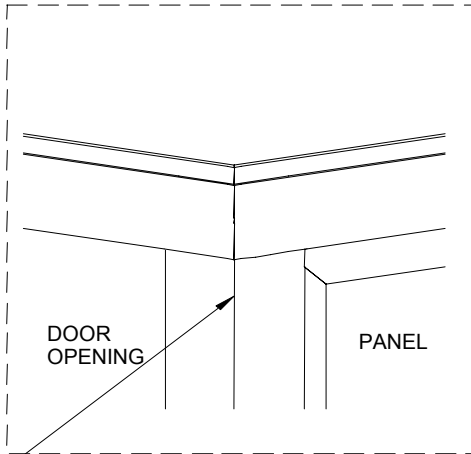
Install the Top Frame and secure at one place on each end as shown. **DO NOT** secure in any other place.

## 5 – CORNER POST AND MAGNETIC CORNER POST (DOOR JAMB) INSTALLATION

CORNER ALIGNMENT OF  
MAGNETIC CORNER POST  
(DOOR JAMB)

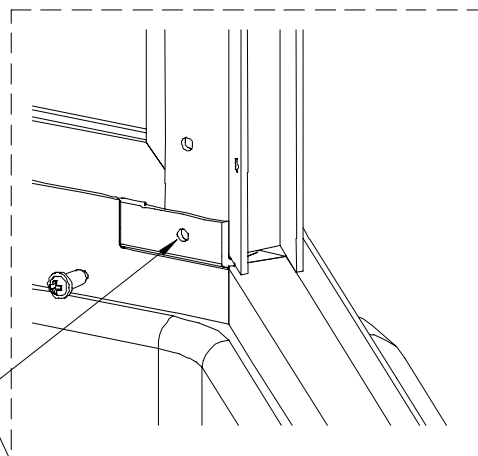


CORNER ALIGNMENT OF CORNER POST



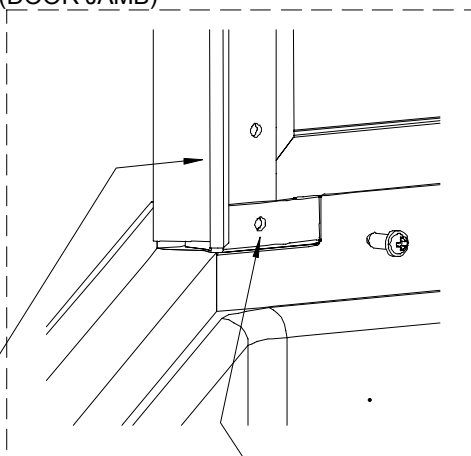
ALIGNED  
CORNER

PLACEMENT OF CORNER POST



DRILL 7/64" DIA.  
#6 x 3/8" PAN HEAD  
SCREW

PLACEMENT OF MAGNETIC CORNER POST  
(DOOR JAMB)



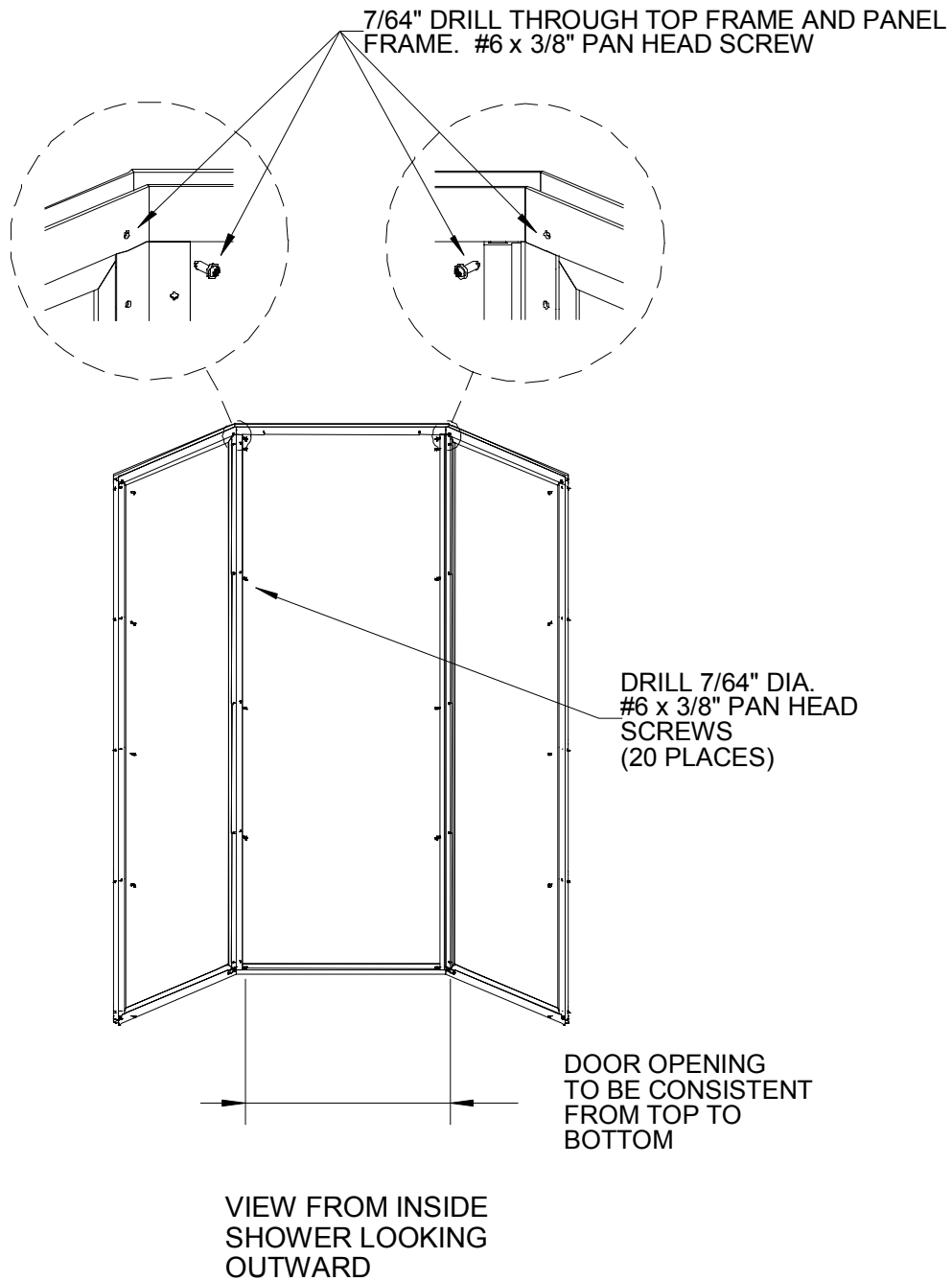
MAGNETIC  
STRIP

DRILL 7/64" DIA.  
#6 x 3/8" PAN HEAD  
SCREW

Note: Corner Post (which will support the door hinge side) must be located opposite the shower head. Corner Post with magnetic strip is mounted opposite the hinge side and used as the door jamb.

Insert both posts and position them so the angle of the post line up with the outside angle of the Top and Bottom Frames. Position Side Panels so they appear even all around. Drill and secure bottom as shown. **DO NOT** secure at any other place except as shown.

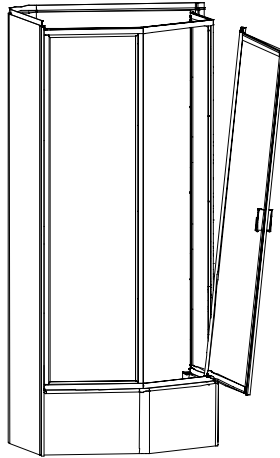
## 6 – SECURING WINDOWS, CORNER POST, MAGNETIC CORNER POST, AND TOP FRAME



Keeping the Corner Post and Magnetic Corner Post aligned as described in Step 5, drill and secure the Top Frame to the Side Panels, as shown, in one place for the Left Panel and one place for the Right Panel. Make sure to drill through the Top Frame and the aluminum frame of the side Panels. **BE CAREFULL NOT TO DRILL INTO THE GLASS.** Use a 7/64" drill and #6 x 3/8" pan head screws.

Then, drill all the other holes using a 7/64" drill and secure with #6 X 3/8" pan head screws.

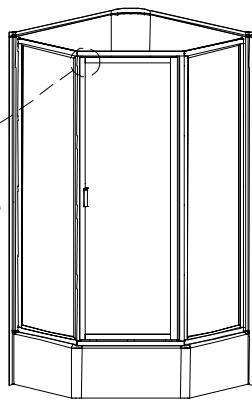
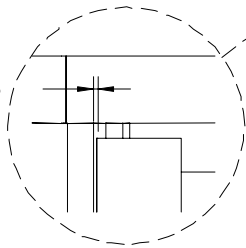
## **7 – CENTRE DOOR PANEL INSTALLATION**



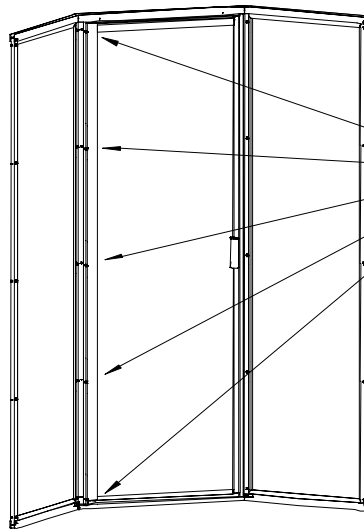
Insert the Centre Panel by tilting the door into position, placing the bottom of the hinge side into the Bottom Channel and then tilting the Centre Panel into the Corner Post.

## **8 – DOOR ADJUSTMENT AND INSTALLATION**

1/8"  
DOOR JAMB  
GAP



**ADJUST DOOR SPACING**

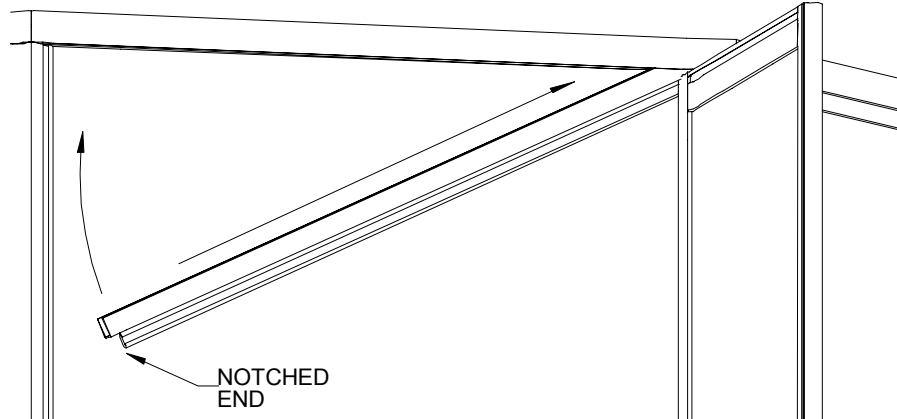


DRILL 7/64" DIA.  
#6 x 3/8" PAN  
HEAD SCREWS  
(5 PLACES)

**SECURE DOOR WITH FASTENERS  
(REAR VIEW, SHOWER STALL NOT  
SHOWN FOR CLARITY)**

**CAREFULLY** close the door, adjust the door until a 1/8" clearance gap is made between the door edge and the Magnetic Corner Post and so the gap above and below the door appear even. Use a couple of pieces of Duct tape over the hinge and corner post to temporarily hold the door into position. From the inside drill in five places using a 7/64" drill and secure using #6 x 3/8" screws as shown.

## 9 – HEADER BAR INSTALLATION

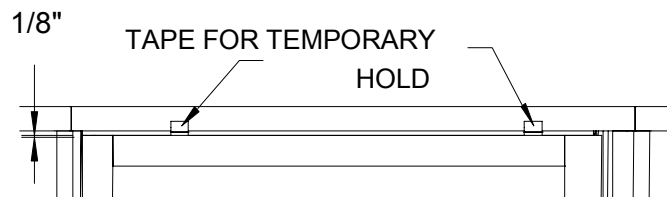


**DO NOT FASTEN WITH SCREWS.  
USE TAPE FOR TEMPORARY HOLD.**

Open the door, insert the Header Bar, and close the door. The notch must be opposite the hinge as shown with the magnetic strip facing the outside. For a left-hand installation use the other Header Bar provided.

## 10 – HEADER BAR ADJUSTMENT AND INSTALLATION

**WITH DOOR CLOSED,  
ADJUST GAP BETWEEN  
TOP OF DOOR AND HEADER**



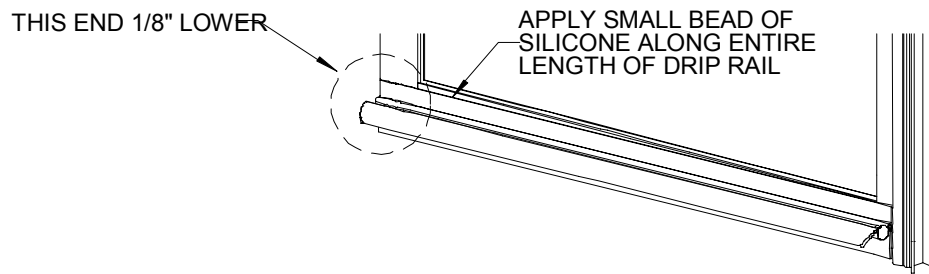
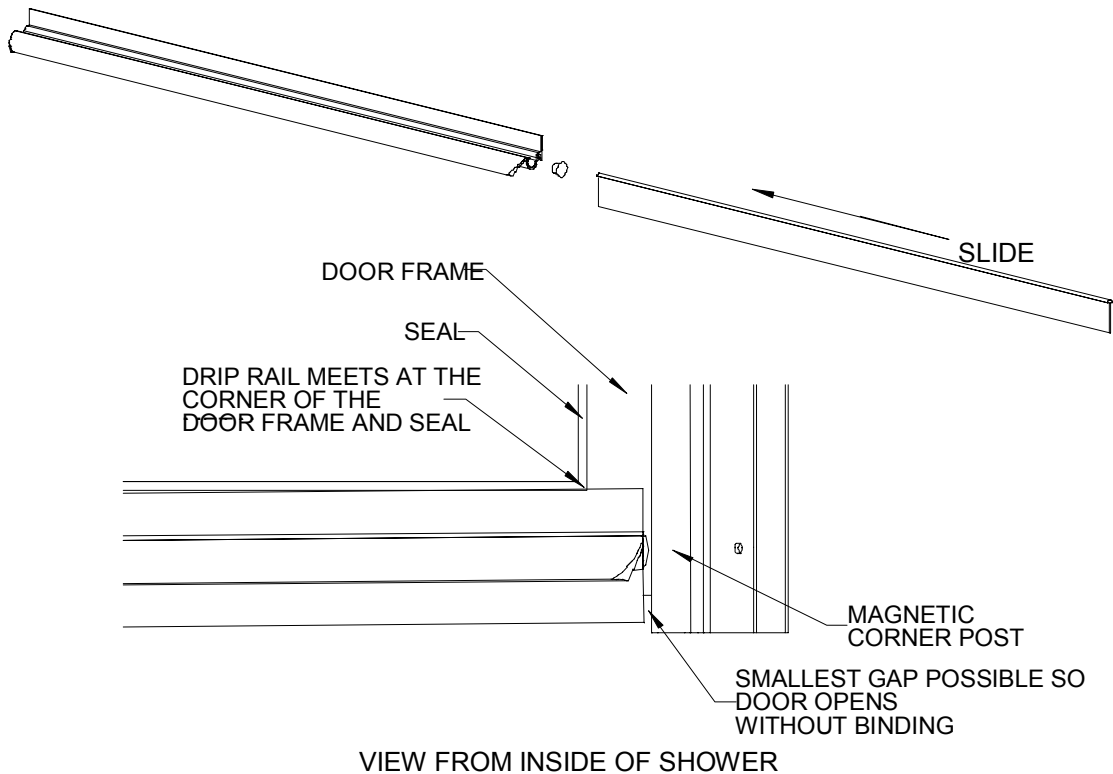
VIEW FROM OUTSIDE OF SHOWER



VIEW FROM INSIDE OF SHOWER

Adjust the Header Bar so there is a clearance gap of 1/8" between the top of the door and Header Bar. The magnetic strip should fully contact the back of the door. Temporarily secure the Header Bar using tape on the outside of shower, then drill two holes using a 7/64" drill and secure using two #6 x 3/8" screws on the inside of shower as shown.

# 11 – DRIP RAIL, DRIP RAIL VINYL SWEEP, AND DRIP PLUG INSTALLATION



Slide the Drip Rail Vinyl Sweep into the Drip Rail. Push Drip Plug into Drip Rail on the high end opposite the hinge side. Clean the bottom frame surface of the door using Rubbing Alcohol and a clean dry cloth. **DO NOT USE SOLVENT AS IT CONTAINS OILS.** With the shower door closed, remove the protective backing from the adhesive tape at the back of the Drip Rail and carefully press onto the bottom of the Door Panel frame in the location shown from inside the shower. Cut off excess Vinyl Sweep using a sharp utility knife.

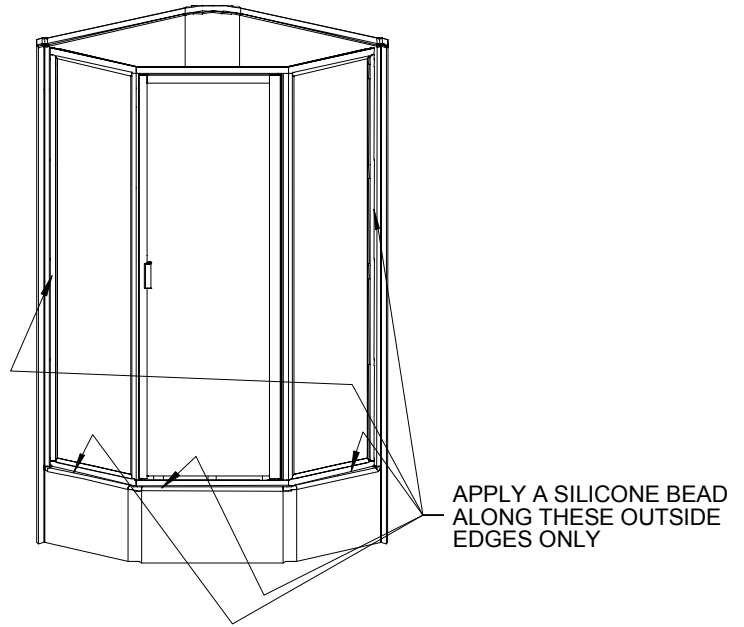
**Note:** It is best to allow the wiper to extend slightly beyond the Drip Rail on the hinge side of the door.

Apply a continuous bead of silicone along the entire length at the top of the Drip Rail. Allow at least 4 hours to cure the silicone before use of the shower.

## 12 – APPLICATION OF SILICONE SEALANT

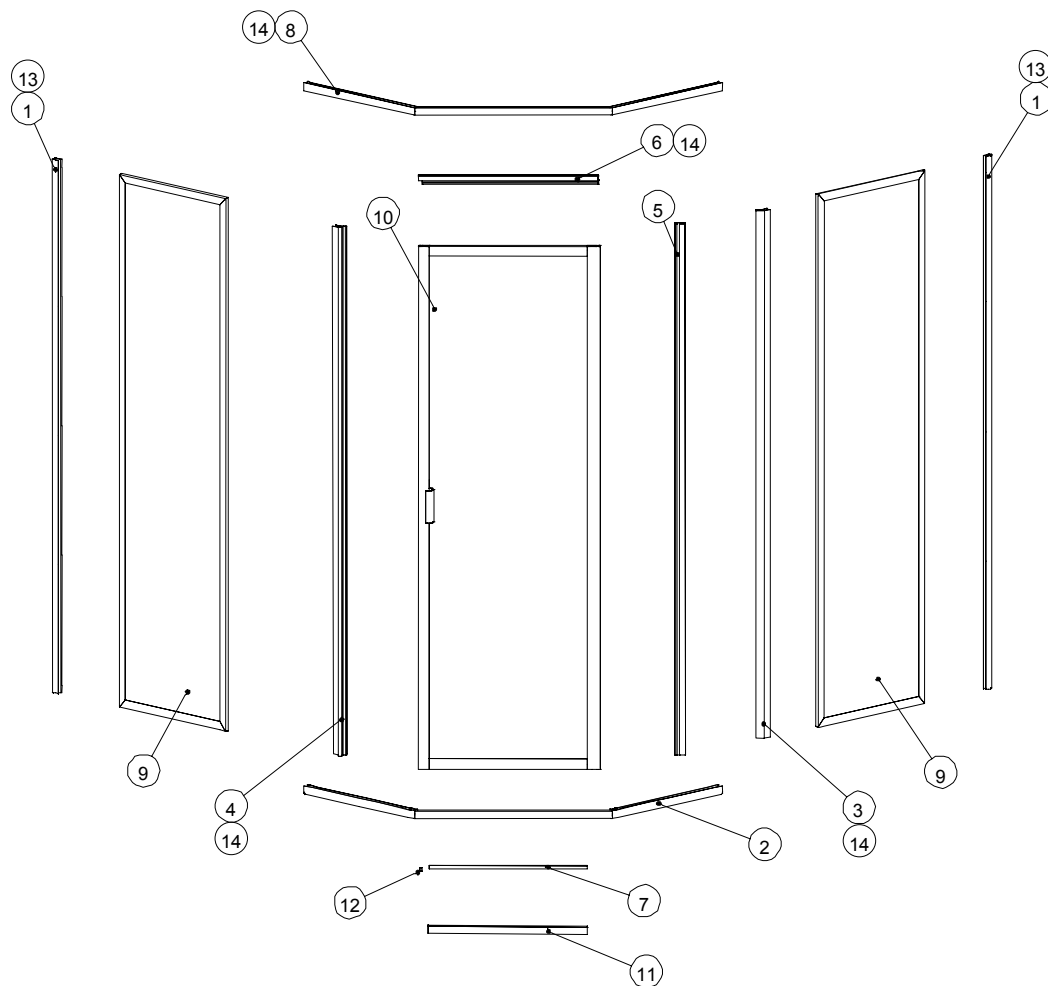
Apply a fine bead of silicone sealant around the outside perimeter of the Bottom Frame and Wall Jamb.

Wipe off excess immediately being careful not to smudge the uncured silicone.



# Parts List – NEO ANGLE SD-39 SHOWER DOOR

ITEM	DESCRIPTION	PART NUMBER	QTY.
1	WALL JAMB	EX122	2
2	BOTTOM FRAME	SQF12	1
3	CORNER POST	A6227	1
4	MAGNETIC CORNER POST (DOOR JAMB)	QF78	1
5	MALE HINGE CHANNEL (attached to door)	6-19959	1
6	HEADER BAR	A4649	1
7	DRIP RAIL	2482T	1
8	TOP FRAME	SQF11	1
9	SIDE PANEL	SP1A	2
10	DOOR PANEL	DP1A	1
11	DRIP RAIL VINYL SWEEP	PVS2	1
12	DRIP RAIL PLUG	DCP1	1
13	PAN HEAD SCREW #8 X 1"	81-P	10
14	PAN HEAD SCREW # 6 X 3/8"	838-P	31



ASSEMBLY SHOWN IN RIGHT-HAND CONFIGURATION