



Acrylic Sectional Bathing Suite Three Piece Acrylic

FEATURES

MTS-6300M-3H

- Unique FIATFusion™ system which joins the sections together for a permanent bond (patented)
- Installs completely from the front side
- No complicated joining systems, no vinyl gaskets, no silicone
- Dimension of 30½" (775 mm) front to back fits standard opening
- Cut lines blend into the design
- Built-in clear acrylic grab bar
- Integrally molded soap dish and shelves
- 2 - 16" (406 mm) 1¼" (32 mm) OD stainless steel vertical grab bars
- 1 - 36" (914 mm) 1¼" (32 mm) OD stainless steel horizontal grab bar
- 1" (25mm) stainless steel shower curtain rod
- 1" (25 mm) screw flange for easy fastening to studs
- Bottom of flange notched to accommodate sill plate

NOTES

The modular showers shall be manufactured by FIAT Products. The units shall be thermoformed from continuous cast, cross linked acrylic sheet into a one-piece seamless unit with smooth rounded corners and reinforced in the back with fiberglass and polyester resin which has been further treated with a flame retardant additive. All FIAT acrylic units meet or exceed flame and smoke standards as outlined in the National Building Code of Canada. All grab bars meet or exceed ASTM standards. Modular tub/showers shall be pre-drilled for drain and overflow fitting connections (supplied by others). Vertical flanges shall be pre-drilled to facilitate attaching to studs.

WARRANTY:

FIAT Products warrants to the purchaser of FIAT Bathware Products that each unit is free from defects in material and workmanship, under normal use for a period of one year from date of purchase.

Fully detailed warranty card and installation manual are supplied with each unit.

OPTIONS

- Whirlpool package (-W)
- Model 1002/1021 CSA approved, waterproof canopy light for field installation
- Model 711MF fold-up slotted acrylic seat with naugahyde cushion fastened beneath, for use as a head rest when seat is in folded-up position
- Standard color for all models is white. Other colors are available on request.

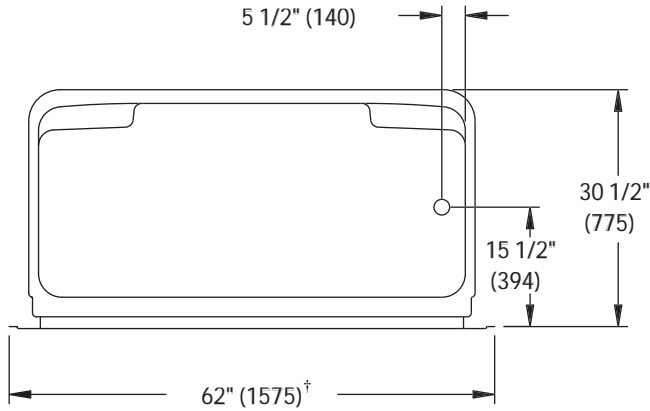
DIMENSIONS:

62" x 30½" x 87¾" (1575 mm x 775 mm x 2229 mm)

CUSTOM COMFORT

Three Piece Acrylic Sectional Bathing Suite

ENOVA MTS6300M-3H



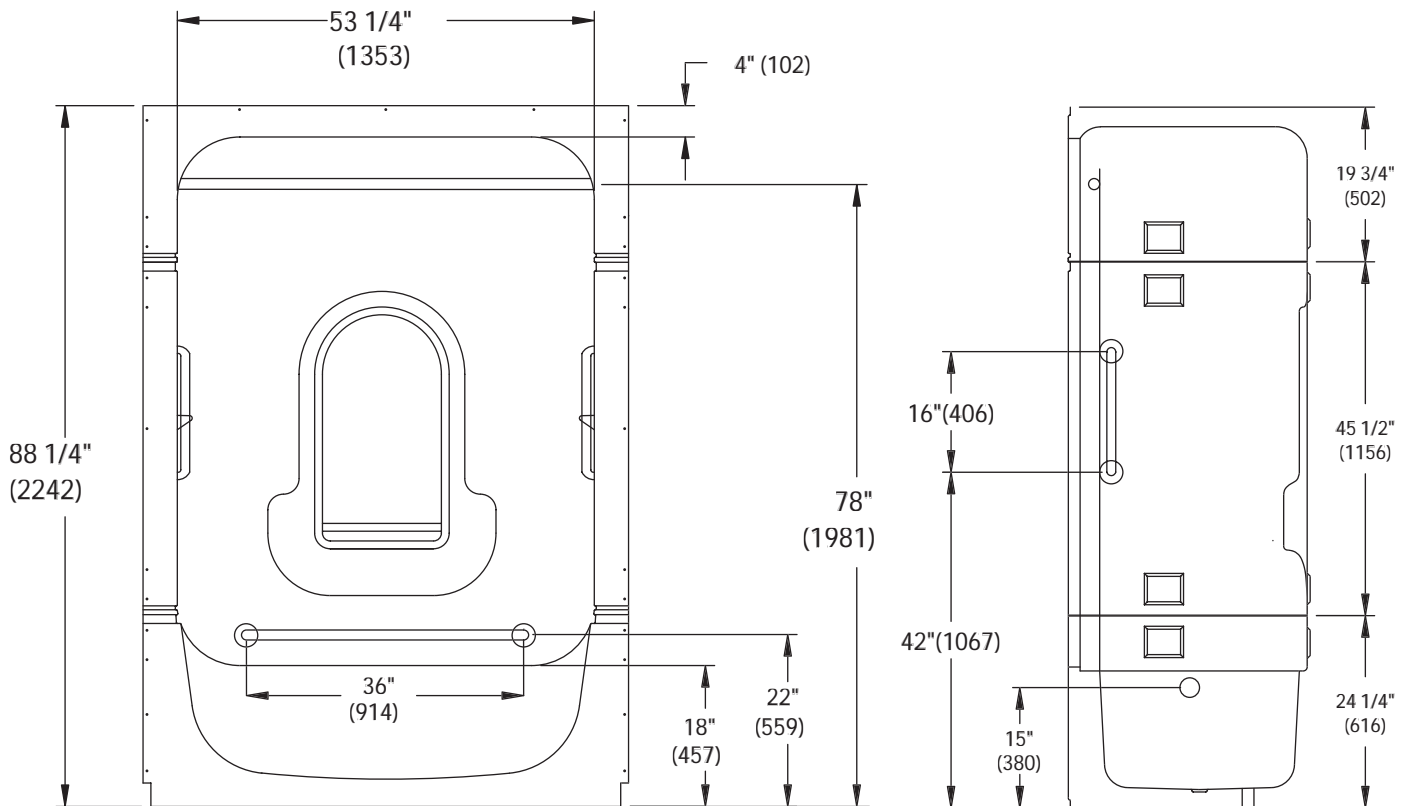
† This dimension includes 1" (25mm) screw flange each side.
Recess required is 2" less than overall dimension indicated.

57 1/2" CURTAIN ROD

36" GRAB BAR

16" GRAB BAR (2)

NOTE: DIMENSIONS MAY VARY
+/-1/4"(6mm) AND ARE
SUBJECT TO REVISION.



IMPORTANT:

Dimensions may vary plus or minus 1/4" (6 mm) and are subject to revision. Specifications are subject to change without notice. Unless otherwise specified, CSA approval has been obtained wherever required. All products must be installed in accordance with installation instructions provided. Failure to do so may invalidate warranty at manufacturer's discretion.



255 Hutchings St. • Winnipeg, MB • R2X 2R4 • Ph. 800-665-7531 • 204-633-6122 • Fx. 204-632-4854
e-mail: info@fiat.ca • website: www.fiat.ca

