

Seat not exactly as shown

Acrylic Shower Suite One Piece Acrylic

FEATURES

MS-305H

- Patterned floor
- Integrally molded soap dish and shelf
- 2 - 16" (406 mm) 1¼" (32 mm) OD vertical grab bars
- 1 - 24" (610 mm) 1¼" (32 mm) OD stainless steel horizontal grab bar
- 1" (25mm) stainless steel shower curtain rod
- Model S-1 fold-up slotted seat
(Not supplied if unit is ordered w/integrally molded seats)
- 1" (25 mm) screw flange for easy fastening to studs
- Bottom of flange notched to accommodate sill plate

NOTES

The modular showers shall be manufactured by FIAT Products. The units shall be thermoformed from continuous cast, cross linked acrylic sheet into a one-piece seamless unit with smooth rounded corners and reinforced in the back with fiberglass and polyester resin which has been further treated with a flame retardant additive. All FIAT acrylic units meet or exceed flame and smoke standards as outlined in the National Building Code of Canada. All grab bars meet or exceed ASTM standards. Modular showers shall be pre-drilled for drain fitting connection (supplied by others). Vertical flanges shall be pre-drilled to facilitate attaching to studs.

WARRANTY:

FIAT Products warrants to the purchaser of FIAT Bathware Products that each unit is free from defects in material and workmanship, under normal use for a period of one year from date of purchase.

Fully detailed warranty card and installation manual are supplied with each unit.

DIMENSIONS:

62" x 34" x 88½" (1575 mm x 864 mm x 2248 mm)

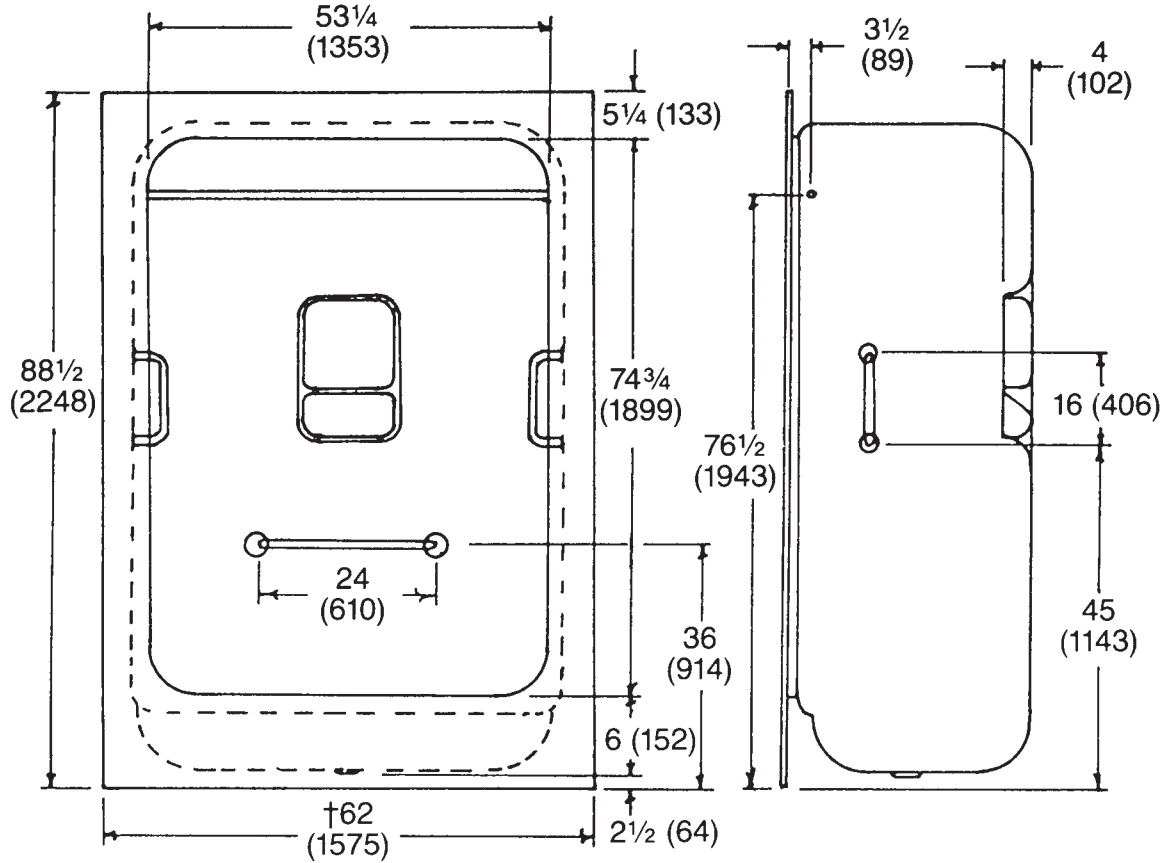
OPTIONS

- Model 1002/1021 CSA approved, waterproof canopy light for field installation
- May be ordered with one or two integrally molded seats
- Standard color for all models is white. Other colors are available on request.

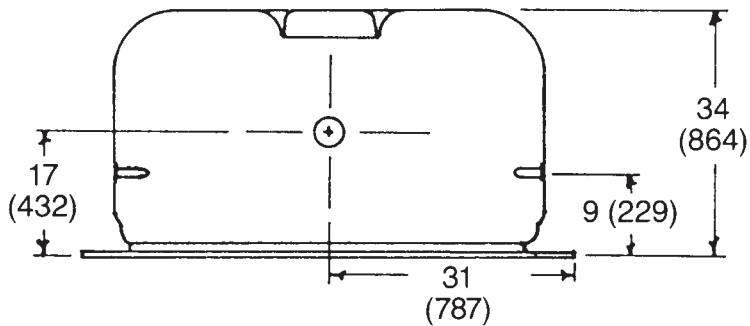
CUSTOM COMFORT

MS-305H

One Piece Acrylic Shower Suite



† This dimension includes 1" (25 mm) screw flange each side. Recess required is 2" less than overall dimension indicated.



IMPORTANT:

Dimensions may vary plus or minus 1/4" (6 mm) and are subject to revision. Specifications are subject to change without notice. Unless otherwise specified, CSA approval has been obtained wherever required. All products must be installed in accordance with installation instructions provided. Failure to do so may invalidate warranty at manufacturer's discretion.



255 Hutchings St. • Winnipeg, MB • R2X 2R4 • Ph. 800-665-7531 • 204-633-6122 • Fx. 204-632-4854
 e-mail: info@fiat.ca • website: www.fiat.ca

