

FIAT®

Model MCS-338

Measures 38" x 38" x 90 1/2" (965 x 965 x 2299)
(includes optional dome)



FEATURES:

- Neo-angle design for corner installation • Integrally molded seat
 - Raised threshold allows 9" basin of water
- MCS-338-2 (Sectional) available with FIATFusion™ system

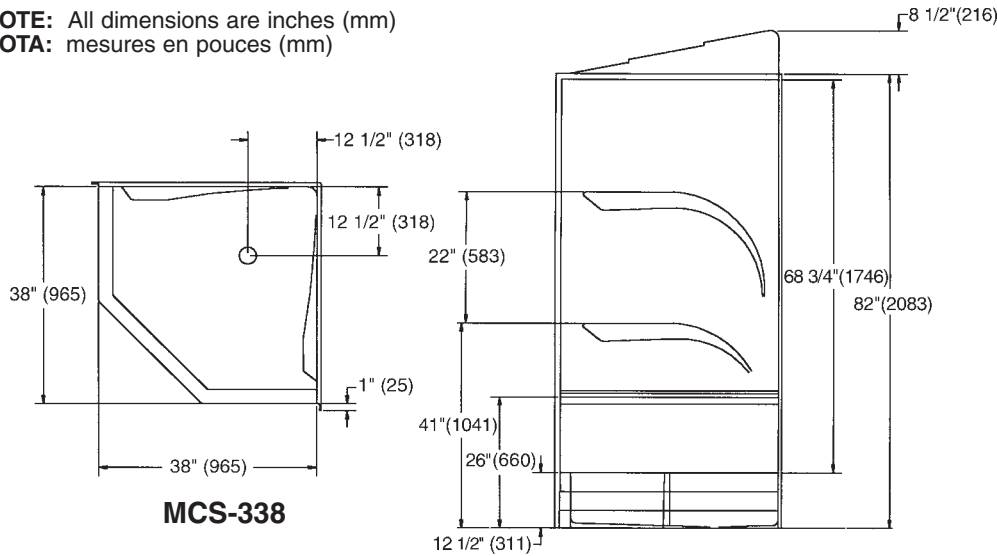
Quality for Life



MCS-338

Specifications

NOTE: All dimensions are inches (mm)
NOTA: mesures en pouces (mm)



MCS-338

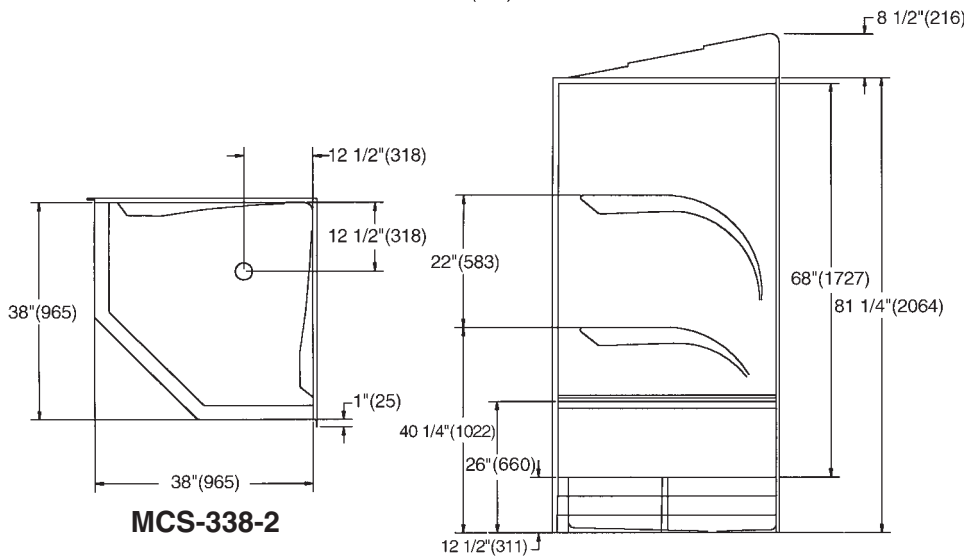
Measures

1 piece – 38" x 38" x 82"
 (965 x 965 x 2083)

optional dome not included

2 piece – 38" x 38" x 81 1/4"
 (965 x 965 x 2064)

optional dome not included



MCS-338-2

Available Options: • SD-39 door enclosure with clear or patterned glass, in chrome, gold or brushed nickel finish • Steam package (-S): with generator, air switch, and steam head in chrome, gold or brushed nickel finish • Foot massage (-FM): deluxe 10 nozzle bubbler system with air switch, variable speed heated blower. Waste and overflow supplied with foot massage. Available in chrome, polished brass, or white finish. (**NOTE:** Foot massage adds 2" to overall height of unit.) • Acrylic dome (standard feature for steam option) available in crystal finish • 2-piece sectional construction with FIATFusion™ system (-2) • ABS shower drain and strainer

General:

The modular showers shall be manufactured by FIAT Products Ltd. The units shall be thermoformed from continuous cast, cross linked acrylic sheet into a one-piece seamless unit with smooth rounded corners and reinforced in back with fibreglass and polyester resin which has been further treated with a flame retardant additive. All FIAT acrylic units meet or exceed flame and

smoke standards as outlined in the National Building Code of Canada. All grab bars meet or exceed ASTM standards. Modular showers shall be pre-drilled for drain fitting connection (supplied by others). Vertical flanges shall be pre-drilled to facilitate to attaching to studs.

Important:

Dimensions may vary plus or minus 1/4" (6 mm) and are subject to revision. Specifications are subject to change without notice. Unless otherwise specified, CSA approval has been obtained wherever required. All products must be installed in accordance with installation instructions provided. Failure to do so may invalidate warranty at manufacturer's discretion.

Warranty:

Fiat Products Ltd. warrants to the purchaser of FIAT Bathware Products that each unit is free from defects in material and workmanship, under normal use for a period of 5 years on regular acrylic units and one year on doors. Fully detailed warranty card and installation manual are supplied with each unit.

FIAT makes it easy for you to install a FIAT bathing suite in any existing home or apartment. This unit is available as a 2-piece; both sections fit easily through 26" (660 mm) doorways. The FIATFusion™ system provides a permanent bond with no obvious joint lines, no gaskets, no awkward connecting devices and no silicone.



255 Hutchings St. • Winnipeg, MB • R2X 2R4 • Ph. 800-665-7531 • 204-633-6122 • Fx. 204-632-4854
 e-mail: info@fiat.ca • website: www.fiat.ca