

Nominal Dimensions : 50" x 36-1/4" x 87" (1270 x 921 x 2210mm)

MS-4836 ENVIRO SERIES

Product Features:

- High Gloss Acrylic with fiberglass reinforcement
- Safety-textured shower bottom pattern
- 2 integrally molded seats
- Shower with centre drain
- Integrally molded soap dish and shelves
- ABS shower drain with chrome strainer included
- **All Enviro series models are made to order and are non-cancellable and non-refundable**

ENVIRO-Factory installed shower system includes:

- 24" (610mm) Slide bar with personal handheld shower
- 3 Deluxe 2 function body sprays
- 6" (152mm) Rain shower head
- 3 Volume control valves
- Central thermostatic valve, 3/4" NPT inlets/outlets
- Acrylic shower stall with factory installed steam channels
- SD58C Clear tempered glass door
- Available with CPVC or copper piping

MS4836520NYY

ENVIRO STEAM

- ENVIRO same as above
- FSC30 Steam generator with Elite digital control, steam head and escutcheon, and clear acrylic drip tray

MS4836526NYY



MS4836H520N10251 Shown

To Be Specified:

Colour:

- White (100) Bone (208) Biscuit (251)

Trim Finish and Piping Options (YY):

- Chrome with CPVC piping (10)
- Brushed Nickel with CPVC piping (14)
- Chrome with copper piping (30)
- Brushed Nickel with copper piping (34)

Options:

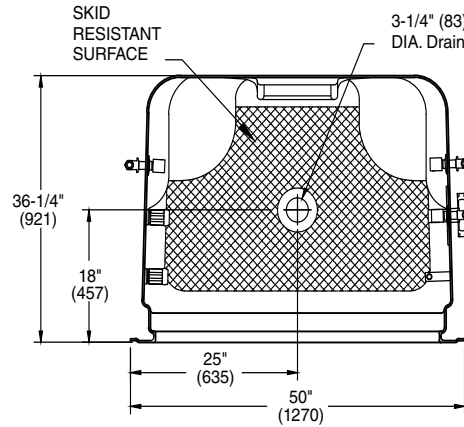
- K1002-1021** - Kit Canopy Light Package 1002/1021
 - 1002** - Lightolier Frame (CSA/UL)
 - 1021** - Lightolier Lens Trim (CSA/UL)
- DRILL FOR LIGHT** - Change 4836 to 4836H

Compliance Certifications -

Meets or Exceeds the Following Specifications:

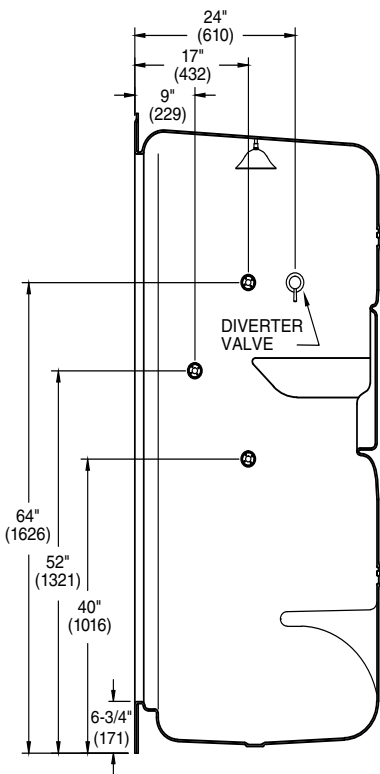
- CSA B45 Series Plumbing Fixtures
- CAN/ULC-S102 Flame Spread and Smoke Developed

SEE REVERSE FOR ROUGHING-IN DIMENSIONS

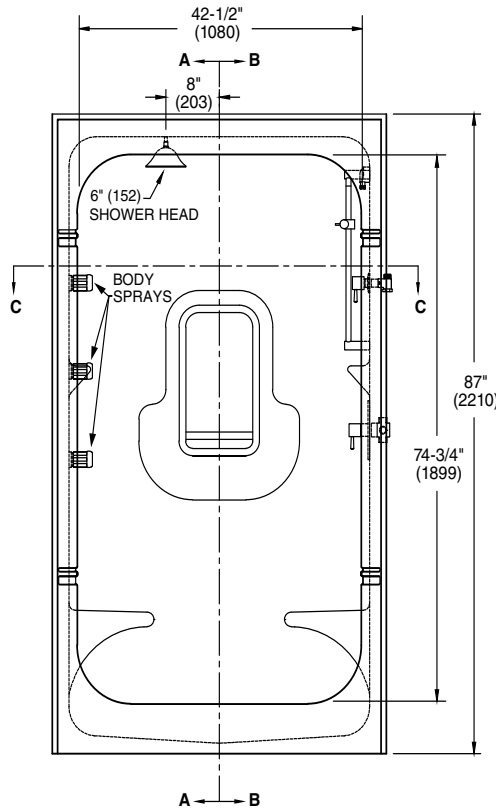


SECTION C:C

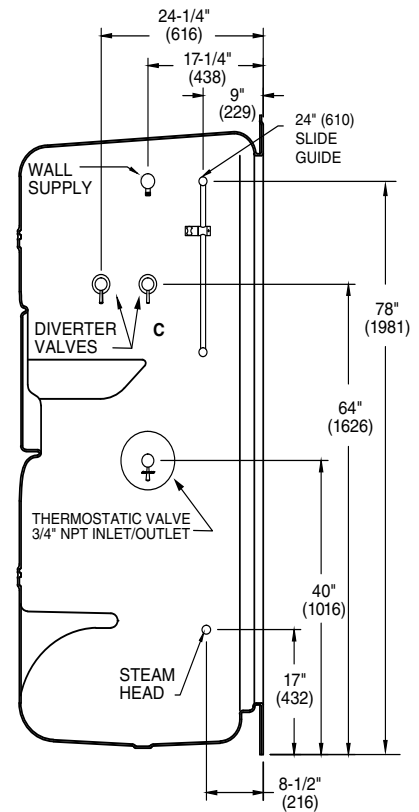
DIMENSIONS MAY VARY
+/-1/4"(6mm) AND ARE
SUBJECT TO REVISION



SECTION A:A



A B



SECTION B:B

Note:

- SPECIFY LH OR RH LOCATION FOR THERMOSTATIC VALVE AND HANDHELD SHOWER. REFER TO ENVIRO CONFIGURATION FORM FOR DETAILS
ALL ENVIRO SERIES MODELS ARE MADE TO ORDER AND ARE NON-CANCELLABLE AND NON-REFUNDABLE
- REFER TO INSTALLATION INSTRUCTIONS SUPPLIED FOR ADDITIONAL INFORMATION.
PROVIDE SUITABLE REINFORCEMENT FOR ALL SUPPORTS.

IMPORTANT: Dimensions of fixtures are nominal and may vary within the range of tolerances established by ANSI Standard Z124.1 and A112.19.7. These measurements are subject to change or cancellation. No responsibility is assumed for use of superseded or voided pages.